



FOOD EQUIPMENT

"Exceeding your expectations"

Item No. _____

Quantity _____

AIA File No. _____

Infrared Bulb Warmers



Model 6000A-2, with 66091 & 66089

Keep plated foods at optimum serving temperatures while maintaining their appetizing appearance with NEMCO's complete line of infrared bulb warmers. Each unit is perfect for holding baked foods, such as rolls, breads and desserts, as well as your most popular fried favorites and side dishes like chicken fingers, poppers, French fries and more. Or use them for steamed and broiled foods too.

Like all NEMCO equipment, these bulb warmers are designed to fit any kind of commercial space and size requirements, with portable freestanding and permanent hanging-fixture designs available. All models feature an attractive, classic reflector hood design that blends easily with any interior style. Plus, you can order your own custom configuration with the option to specify color or chrome finish. The standard bulb package includes a set of clear, 250-watt infrared bulbs. Red 250-watt infrared bulbs and white, shatter-resistant 250-watt infrared bulbs are also available.

Standard Features

- Sturdy steel frame and aluminum hoods with powder coat or chrome finish.
- 120-volt unit that plugs into a 15-amp outlet
- A 6-foot cord
- Durable, scratch-resistant finish that is easy to clean
- One-year parts and labor warranty

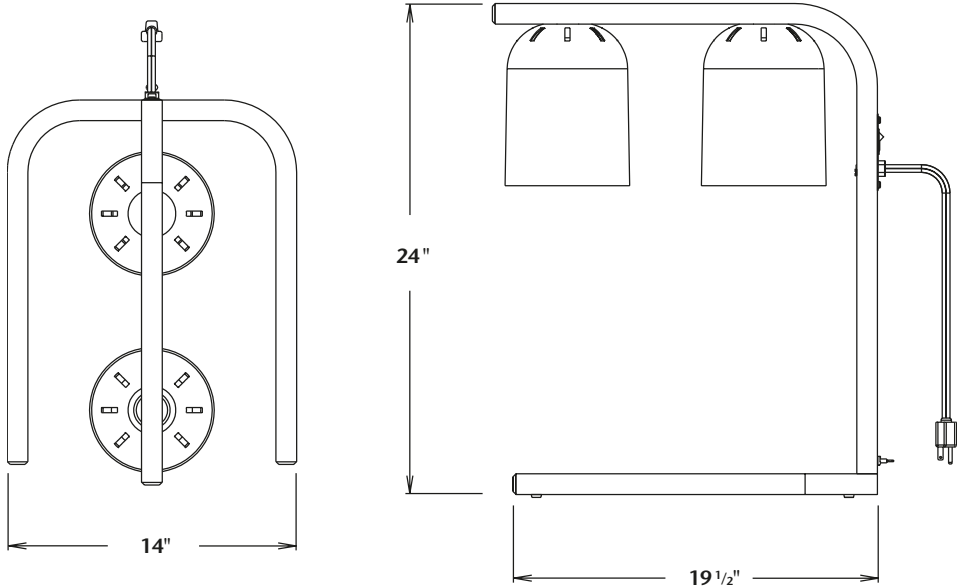


NEMCO Food Equipment, Ltd.,

301 Meuse Argonne
Hicksville, Ohio 43526
800.782.6761
419.542.7751
419.542.6690, fax

www.nemcofoodequip.com
Printed 1/07. Printed in U.S.A.

Countertop Bulb Warmers (Model 6000A-2 shown)



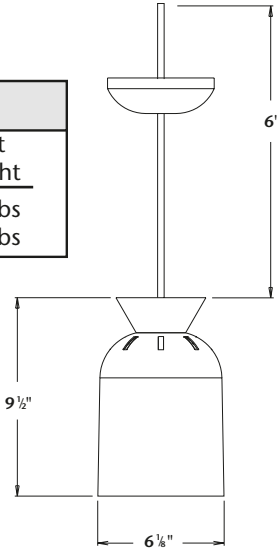
| Specifications | | | | | | |
|----------------|-------------------------|-------|-------|------------|---------------------|-------------|
| Model | Description | Volts | Watts | Adjustment | WxDxH | Unit Weight |
| 6000A-1 | Single bulb | 120 | 250 | 6" | 14"x19 1/2"x22" | 6.50 lbs |
| 6000A-2 | Two bulb | 120 | 500 | 6" | 14"x19 1/2"x24" | 8.00 lbs |
| 6000A-2B | Two bulb, black finish | 120 | 250 | 6" | 14"x19 1/2"x24" | 8.00 lbs |
| 6000A-2C | Two bulb, chrome finish | 120 | 250 | 6" | 14"x19 1/2"x24" | 8.00 lbs |
| 6000A-3 | Three bulb | 120 | 750 | 6" | 14"x29 1/4"x26 3/4" | 10.00 lbs |

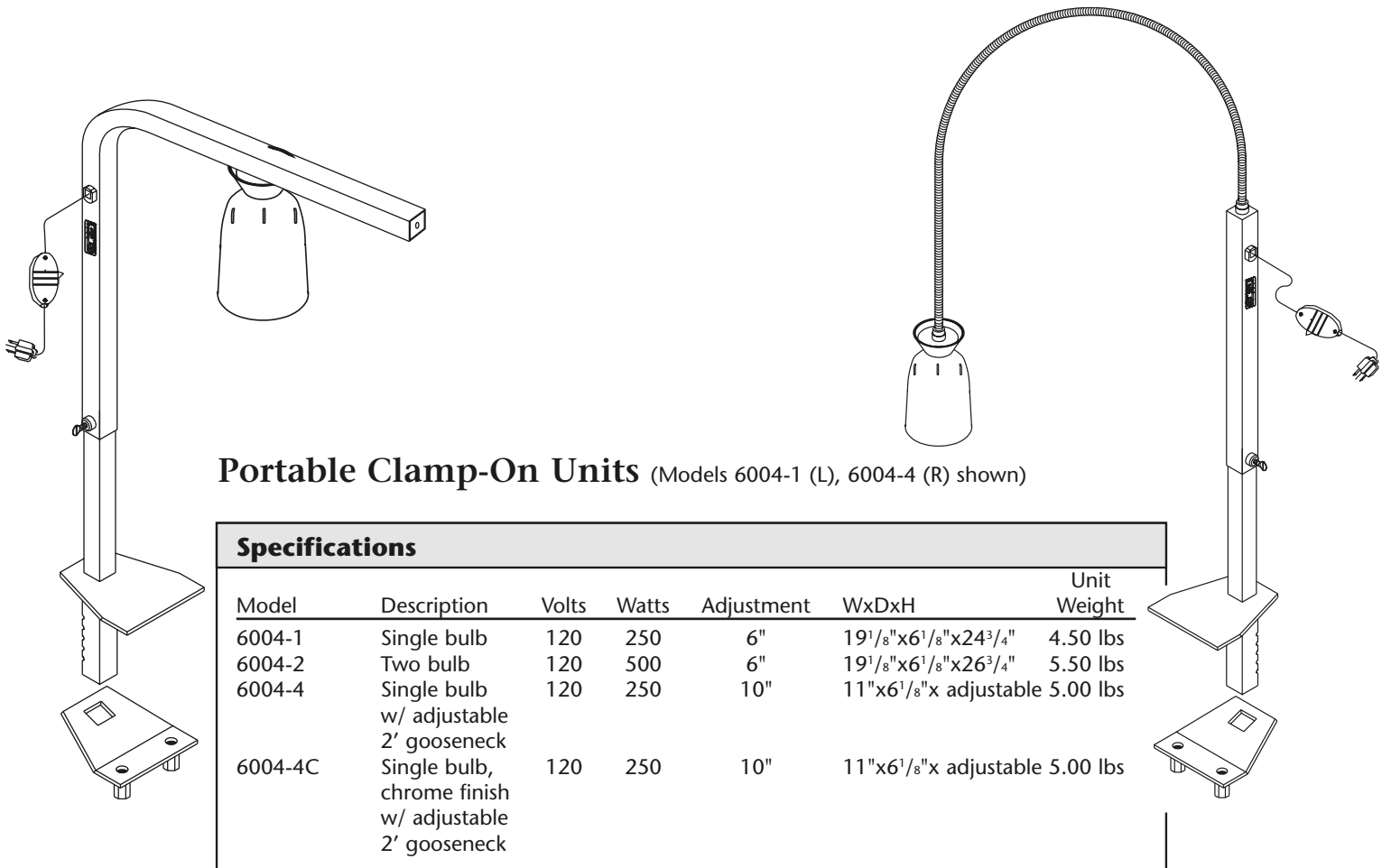


| Optional Accessories | |
|----------------------|----------------------------|
| Model | Description |
| 66089 | Pan and screen set |
| 66091 | Tray for 6000A-1 & 6000A-2 |
| 66195 | Tray for 6000A-3 |

Ceiling-Mount Units (Model 6002 shown)

| Specifications | | | | | | |
|----------------|-------------|-------|-------|-----------------|---------|-------------|
| Model | Description | Volts | Watts | Width | Length | Unit Weight |
| 6002 | Single bulb | 120 | 250 | 6 1/8" diameter | 6' cord | 2.00 lbs |
| 6003 | Single bulb | 120 | 250 | 6 1/8" diameter | 4' tube | 2.50 lbs |



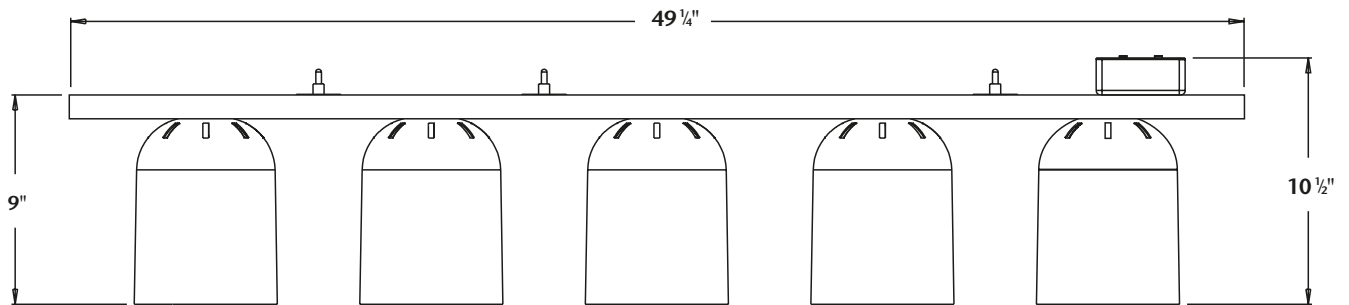


Portable Clamp-On Units (Models 6004-1 (L), 6004-4 (R) shown)

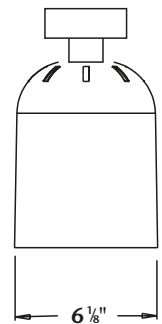
| Specifications | | | | | | |
|----------------|--|-------|-------|------------|---|-------------|
| Model | Description | Volts | Watts | Adjustment | WxDxH | Unit Weight |
| 6004-1 | Single bulb | 120 | 250 | 6" | 19 ¹ / ₈ "x6 ¹ / ₈ "x24 ³ / ₄ " | 4.50 lbs |
| 6004-2 | Two bulb | 120 | 500 | 6" | 19 ¹ / ₈ "x6 ¹ / ₈ "x26 ³ / ₄ " | 5.50 lbs |
| 6004-4 | Single bulb w/ adjustable 2' gooseneck | 120 | 250 | 10" | 11"x6 ¹ / ₈ "x adjustable | 5.00 lbs |
| 6004-4C | Single bulb, chrome finish w/ adjustable 2' gooseneck | 120 | 250 | 10" | 11"x6 ¹ / ₈ "x adjustable | 5.00 lbs |



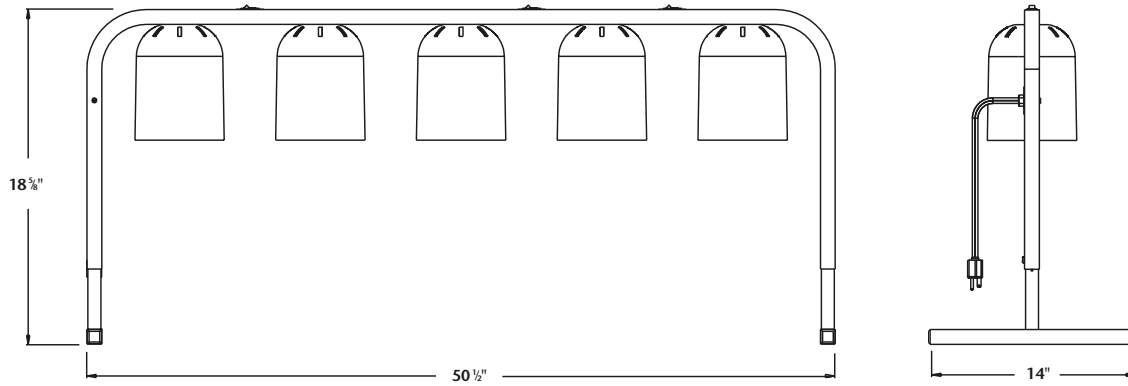
Single-Row, Suspension-Bar, Chain-Hung Units (Model 6006-5 shown)



| Specifications | | | | | |
|----------------|-------------|-------|-------|---|-------------|
| Model | Description | Volts | Watts | WxDxH | Unit Weight |
| 6006-2 | Two bulb | 120 | 500 | 21 ¹ / ₄ "x6 ¹ / ₈ "x10 ¹ / ₂ " | 3.50 lbs |
| 6006-3 | Three bulb | 120 | 750 | 30 ³ / ₄ "x6 ¹ / ₈ "x10 ¹ / ₂ " | 5.50 lbs |
| 6006-4 | Four bulb | 120 | 1,000 | 40 ¹ / ₄ "x6 ¹ / ₈ "x10 ¹ / ₂ " | 7.00 lbs |
| 6006-5 | Five bulb | 120 | 1,250 | 49 ¹ / ₄ "x6 ¹ / ₈ "x10 ¹ / ₂ " | 8.50 lbs |
| 6006-6 | Six bulb | 120 | 1,500 | 59 ¹ / ₄ "x6 ¹ / ₈ "x10 ¹ / ₂ " | 10.00 lbs |
| 6006-7 | Seven bulb | 120 | 1,750 | 68 ³ / ₄ "x6 ¹ / ₈ "x10 ¹ / ₂ " | 11.50 lbs |
| 6006-8 | Eight bulb | 120 | 2,000 | 78 ¹ / ₄ "x6 ¹ / ₈ "x10 ¹ / ₂ " | 12.50 lbs |



Portable Counter Units (Model 6008-5 shown)



Specifications

Portable Counter Units

| Model | Description | Volts | Watts | Adjustment | WxDxH | Unit Weight |
|--------|-------------|-------|-------|------------|---|-------------|
| 6008-2 | Two bulb | 120 | 500 | 6" | 22"x14"x18 ⁵ / ₈ " | 7.00 lbs |
| 6008-3 | Three bulb | 120 | 750 | 6" | 31 ¹ / ₂ "x14"x18 ⁵ / ₈ " | 8.50 lbs |
| 6008-4 | Four bulb | 120 | 1,000 | 6" | 41"x14"x18 ⁵ / ₈ " | 10.00 lbs |
| 6008-5 | Five bulb | 120 | 1,250 | 6" | 50 ¹ / ₂ "x14"x18 ⁵ / ₈ " | 11.50 lbs |
| 6008-6 | Six bulb | 120 | 1,500 | 6" | 60"x14"x18 ⁵ / ₈ " | 13.00 lbs |
| 6008-7 | Seven bulb | 120 | 1,750 | 6" | 69 ¹ / ₂ "x14"x18 ⁵ / ₈ " | 14.50 lbs |
| 6008-8 | Eight bulb | 120 | 2,000 | 6" | 79"x14"x18 ⁵ / ₈ " | 16.00 lbs |

UL Listed

| | | | | | | |
|--------|------------|-----|-------|----|---|-----------|
| 6009-2 | Two bulb | 120 | 500 | 6" | 22"x14"x18 ⁵ / ₈ " | 7.00 lbs |
| 6009-3 | Three bulb | 120 | 750 | 6" | 31 ¹ / ₂ "x14"x18 ⁵ / ₈ " | 8.50 lbs |
| 6009-4 | Four bulb | 120 | 1,000 | 6" | 41"x14"x18 ⁵ / ₈ " | 10.00 lbs |
| 6009-5 | Five bulb | 120 | 1,250 | 6" | 50 ¹ / ₂ "x14"x18 ⁵ / ₈ " | 11.50 lbs |
| 6009-6 | Six bulb | 120 | 1,500 | 6" | 60"x14"x18 ⁵ / ₈ " | 13.00 lbs |



Carving Stations With Flex-Mount Lamp (Model 6015 shown)

Specifications

Carving Stations With Flex-Mount Lamp

| Model | Description | Volts | Watts | Adjustment | WxDxH | Unit Weight |
|-------|---|-------|-------|------------|--|-------------|
| 6015 | Single bulb w/ high-density polyethylene base | 120 | 250 | adjustable | 15 ¹ / ₈ "x20 ¹ / ₈ "x43 ¹ / ₂ " | 15.50 lbs |
| 6016 | Single bulb w/ wood base | 120 | 250 | adjustable | 18 ¹ / ₄ "x24"x43 ¹ / ₂ " | 20.00 lbs |
| 6016C | Single bulb, chrome finish w/ wood base | 120 | 250 | adjustable | 18 ¹ / ₄ "x24"x43 ¹ / ₂ " | 20.00 lbs |



"Exceeding your expectations"

Nemco Food Equipment, Ltd.
301 Meuse Argonne
Hicksville, Ohio 43526
800.782.6761
419.542.7751
419.542.6690, fax

www.nemcofoodequip.com
Printed 1/07. Printed in U.S.A.

Typical Specifications

All infrared bulb warmers shall be constructed of powder coated steel and powder coated aluminum materials. Every unit operates standard on 120-volt/15-amp power with a wattage of 250 per bulb (ranging up to 2,000 total watts for an eight-bulb unit). See model specifications for information regarding the approval of Underwriters Laboratories, Inc., and shall be listed with the National Sanitation Foundation.

