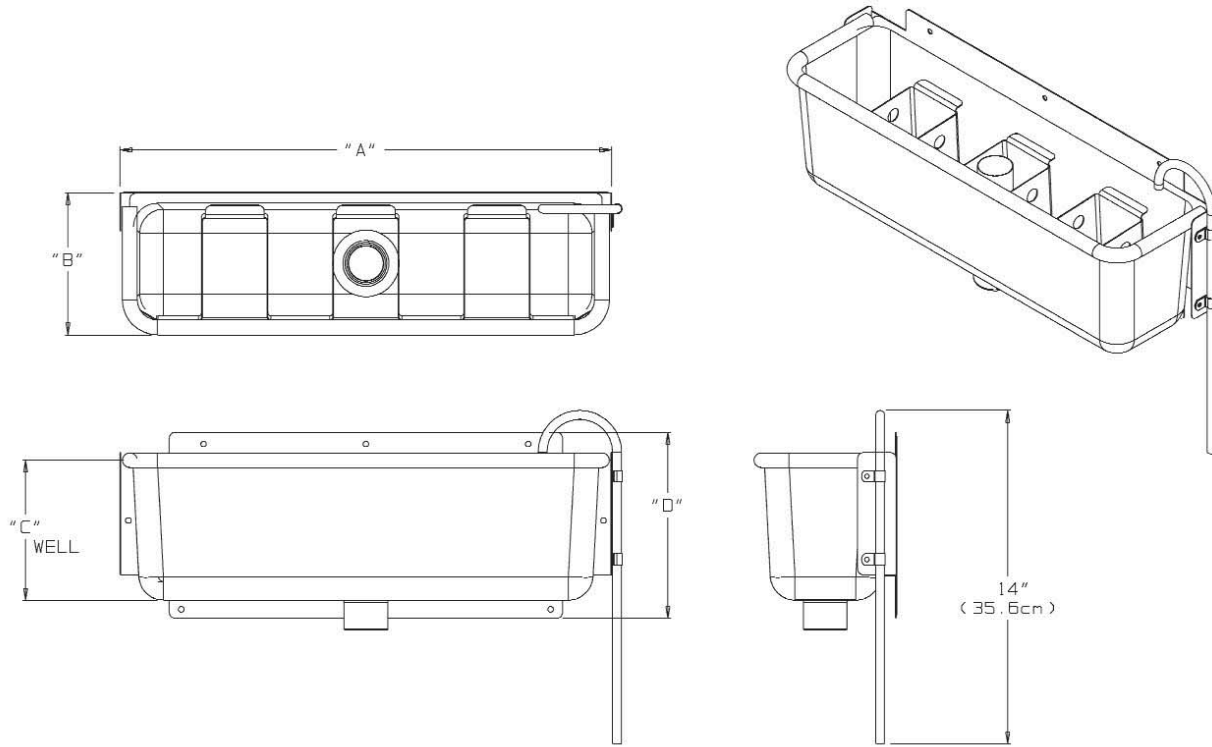




Model No.
77316-7 77316-10
77316-13 77316-19

A/A File No.



Specifications:

Model No.	"A" Inches	"B" Inches	"C" Inches	"D" Inches	Shipping Weight lbs./ (Kg)
77316-7	7	6 1/4	4	5 7/8	5 (2.3)
77316-10	10 3/8	6 1/2	4	5 7/8	6 (2.7)
77316-13	12 3/4	6 3/4	4	5 7/8	7 (3.2)
77316-19	20 5/8	6 1/8	6	7 7/8	11.5 (5.2)

Note: Dimensions are approximate.

Typical Specifications

Spade Well Ice Cream Spade Cleaning Well has a stainless steel body and is equipped with a rubber bumper. Spade Well models are listed with the National Sanitation Foundation (NSF).

** Food Zone: Equipment surfaces intended to be in direct contact with food and equipment surfaces that food or condensate may contact and then drain, drip, or splash back into food or onto surfaces that are intended to be in direct contact with food. For example: directly installed within the ice cream cabinet is a food zone (REF: NSF STD NSF/ANSI 170 - Glossary of food equipment Terminology, Section 3.223.2)



NEMCO Food Equipment, Ltd.
 301 Meuse Argonne, P.O. Box 305
 Hicksville, OH 43526
 Phone (419) 542-7751
 FAX (419) 542-6690
 www.nemcofoodequip.com

A:\compendium\vol1\8573\page 21.htm -> 3:14:57:31 Page 89740-2 Author: Sarpage Systems, Inc., Title: ExtractPage Creator: Page 021 Imposition Producer: 251-16 Perma-Linkation Server 7.2.053 (C:\Program Files\Imposition) Creation Date: 3/10/2010 10:05:16 AM
 2470.0 dpi (Screened) Data File PDS, PDS-Resizing, Yono, Std-057 Standard Spot Colors | A50:100 Scaling Percent: 100% | Resolution: 300 dpi | Color: CMYK | Size: 0.375
 PS Version: 30-5.102-201 | Version: 7.0.3 | Rev: 8-00 \$3 MSK, 31ppd | cc: pdfday, February 19, 2010 7:56:25 AM
 ID: 8242042