



# T&S BRASS AND BRONZE WORKS, INC.

2 Saddleback Cove / P.O. Box 1088  
Travelers Rest, SC 29690



REG. #A2601  
ISO #9001

Model No.

**B-1128**

Item No.

Travelers Rest, SC: 800-476-4103 Simi Valley, CA: 800-423-0150 Fax: 864-834-3518 www.tsbrass.com

This Space for Architect/Engineer Approval

Job Name \_\_\_\_\_ Date \_\_\_\_\_

Model Specified \_\_\_\_\_ Quantity \_\_\_\_\_

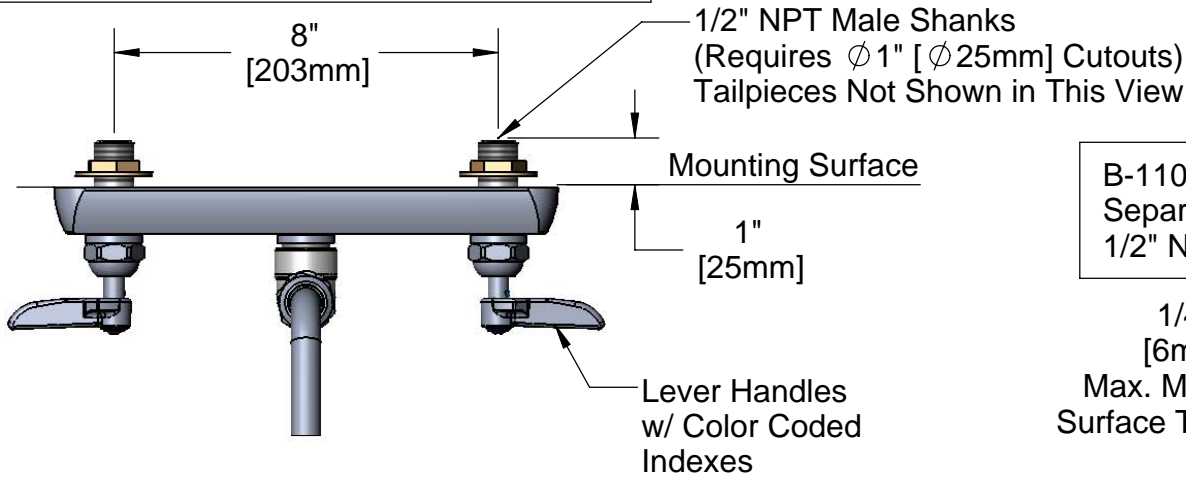
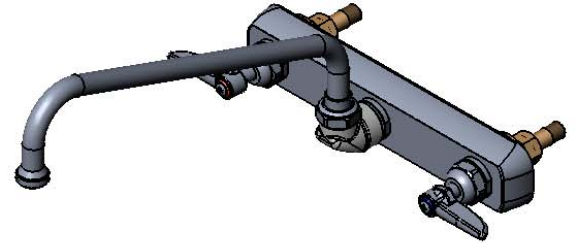
Customer/Wholesaler \_\_\_\_\_

Contractor \_\_\_\_\_

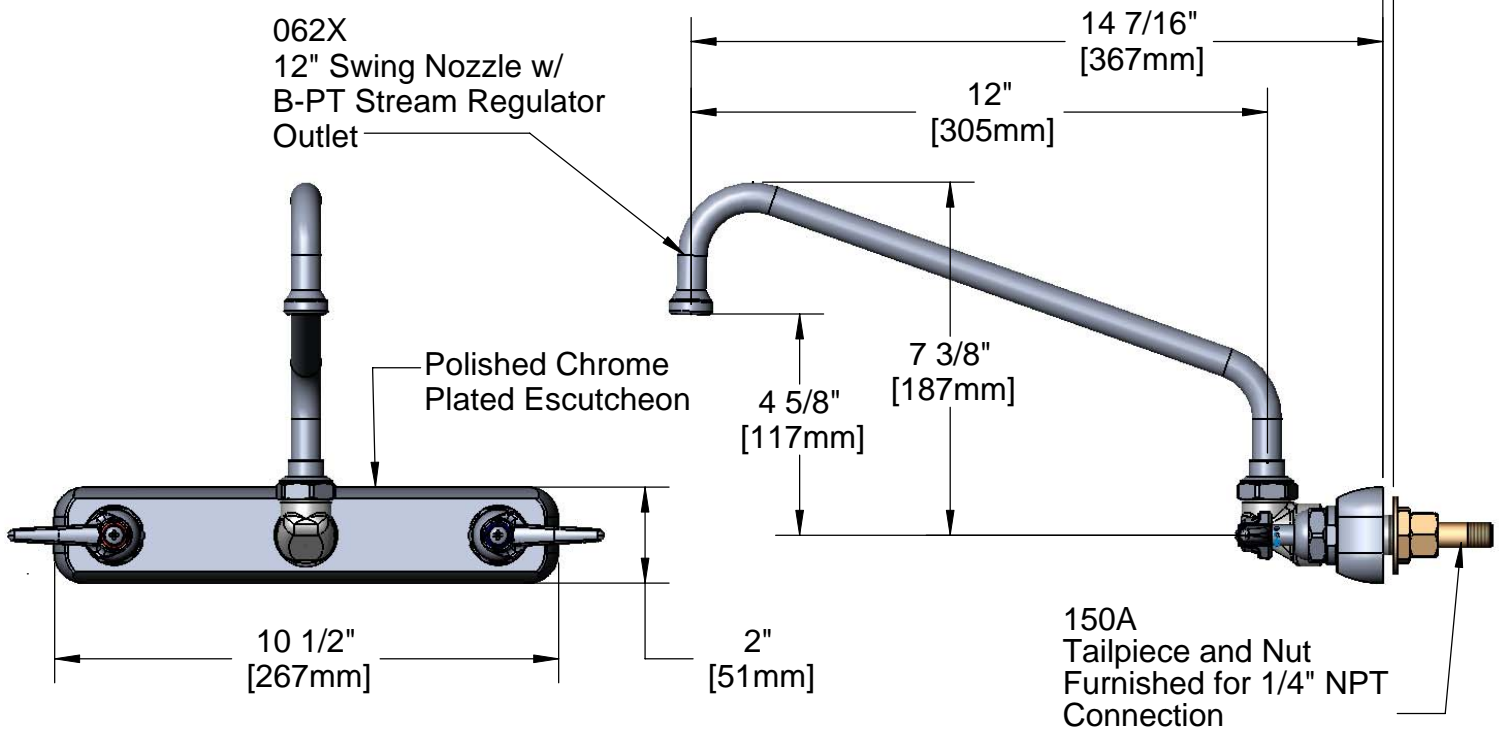
Architect/Engineer \_\_\_\_\_



**ADA Compliant**



B-1100-K Elbow Kit Sold Separately. Contains (2) 1/2" NPT Male 90° Elbows



Product Specifications:  
8" Inlet Centers Wall Mount Faucet w/ Lever Handles, 12" Swing Nozzle Assembly, B-PT Stream Regulator & 1/2" NPT Male Shanks

Drawn <b>KJG</b>	Checked <b>DHL</b>	Approved <b>JHB</b>
Scale: <b>1:4</b>		Date: <b>09/29/08</b>



# T&S BRASS AND BRONZE WORKS, INC.

2 Saddleback Cove / P.O. Box 1088  
Travelers Rest, SC 29690



REG. #A2601  
ISO #9001

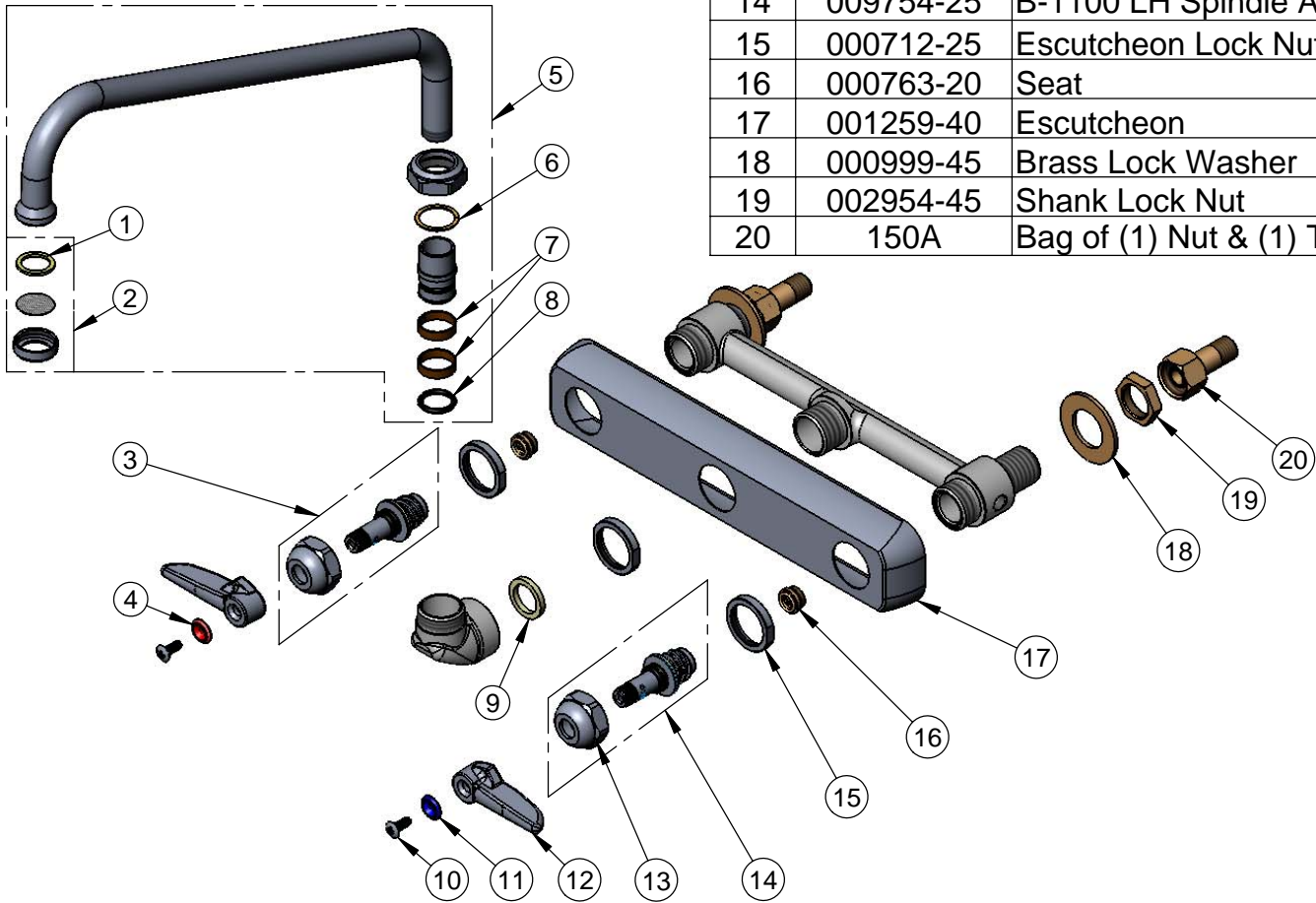
Model No.

**B-1128**

Item No.

Travelers Rest, SC: 800-476-4103 Simi Valley, CA: 800-423-0150 Fax: 864-834-3518 www.tsbrass.com

ITEM NO.	SALES NO.	DESCRIPTION
1	001048-45	Nozzle Tip Washer
2	B-PT	Stream Regulator Outlet
3	009753-25	B-1100 RH Spindle Assembly
4	001661-45	Red Index-HW
5	062X	12" Swing Nozzle Assembly
6	009538-45	Swivel Washer
7	011429-45	Swivel Sleeves (2)
8	001074-45	O-Ring
9	001017-45	Washer
10	000922-45	Lever Handle Screw
11	001660-45	Blue Index-CW
12	001638-45	Lever Handle
13	009749-25	Bonnet Nut
14	009754-25	B-1100 LH Spindle Assembly
15	000712-25	Escutcheon Lock Nut
16	000763-20	Seat
17	001259-40	Escutcheon
18	000999-45	Brass Lock Washer
19	002954-45	Shank Lock Nut
20	150A	Bag of (1) Nut & (1) Tailpiece



Product Specifications:

8" Inlet Centers Wall Mount Faucet w/ Lever Handles, 12" Swing Nozzle Assembly, B-PT Stream Regulator & 1/2" NPT Male Shanks

Drawn <b>KJG</b>	Checked <b>DHL</b>	Approved <b>JHB</b>
Scale: <b>NTS</b>		Date: <b>09/29/08</b>