

# ICE CREAM DIPPING CABINETS

31" HEIGHT EYE-CATCHING DISPLAY FOR YOUNG CHILDREN



TIDC-26W



TIDC-91G



TIDC-47G



TIDC-70W

## ≡ FEATURES & BENEFITS ≡

### ■ LOCKED-IN TEMPERATURE EQUAL FROM TOP TO BOTTOM

New technology of the Cold Wall System eliminates temperature fluctuations throughout the top and bottom areas of the interior cabinet. No more melting ice cream above while freezing below. Scooping has never been easier.

### ■ NO ELECTRICAL FRAME HEATER IS NEEDED

Turbo Air is the first in the industry to replace a frame heater with a method of using compressor-produced heat. This eliminates any unnecessary energy consumption while providing efficient freezing performance.

### ■ ATTRACTIVE CONTEMPORARY DESIGN WITH CURVED GLASS FRONT AND TOP

Sleek new curved front and top glass is attractive and draws attention at once. Deep lowered glass front optimizes product visibility and impulse buying. This merchandiser is perfect for ice cream viewing and dipping.

### ■ LED LIGHTING FOR INTERIOR CANOPY

Brighter and longer lasting LED light bulbs produce less heat, saving energy while maximizing its display effect. Independent on/off light switch equipped.

### ■ NO DEAD SPACE IN COMPONENT AREA

Elimination of unnecessary space at the bottom compressor area decreases energy consumption and resolves inconvenient bracket usage in picking up ice cream containers.

### ■ EASY GRIP RACK HANDLES

PE coated wire container racks have easy grip handles for convenient product removal.

### ■ EFFICIENT REFRIGERATION SYSTEM

Turbo Air's dipping cabinets are designed with oversized and balanced (CFC Free R-134A and R-404A) refrigeration systems. These include efficient evaporators and condensers for faster freezing and greater efficiency.

### ■ STANDARD PLASTIC CAN HOLDER FOR EACH CONTAINER RACK

Each container rack comes standard with an ABS plastic can holder in standard. Attached on top of the ice cream containers, it holds the container firmly in place and provides attractive display appearance.

### ■ PE COATED REMOVABLE MAGNETIC FROST SHIELDS

Provides fast and easy removal of accumulated frost on inside walls.

### ■ WHITE AND LIME COLOR EXTERIOR AVAILABLE

### ■ MANUAL DEFROST SYSTEM

### ■ STANDARD PLASTIC NIGHT COVERS FOR CASE OPENING.

### ■ MAINTAINS -10°F ~ 8°F FOR THE BEST IN FROZEN ICE CREAM PRESERVATION.

Model	# of Lids	# of Racks	# of Night Covers	Capacity cu.ft. / 3 gal. cans	HP	AMPS	Crated Weight (lbs.)	L x D x H (inches)
TIDC-26G(W)	1	4	1	5.19 / 4	1/4	5	227	26 x 26 1/8 x 49 1/2
TIDC-47G(W)	1	8	2	10.31 / 8	1/2	6.5	375	47 x 26 1/8 x 49 1/2
TIDC-70G(W)	2	12	3	16.07 / 12	3/4	8.5	518	70 3/8 x 26 1/8 x 49 1/2
TIDC-91G(W)	2	16	4	21.19 / 16	1	10.5	672	91 3/8 x 26 1/8 x 49 1/2

# TIDC MODELS SPECIFICATIONS

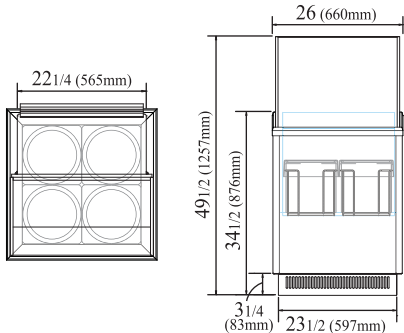
ELECTRICAL DATA	TIDC-26G(W)	TIDC-47G(W)	TIDC-70G(W)	TIDC-91G(W)
Voltage	115/60/1	115/60/1	115/60/1	115/60/1
Plug Type	Ⓜ NEMA-5-15P	Ⓜ NEMA-5-15P	Ⓜ NEMA-5-15P	Ⓜ NEMA-5-15P
Full Load Amperes	5	6.5	8.5	10.5
Compressor HP	1/4	1/2	3/4	1
Refrigerant	R-134A	R-404A	R-134A	R-134A, R-404A
<b>DIMENSIONAL DATA</b>				
# of Lids	1	1	2	2
# of Night Covers	1	2	3	4
Ext. Length Overall in.	26 (660mm)	47 (1194mm)	70 <sup>3</sup> / <sub>8</sub> (1788mm)	91 <sup>3</sup> / <sub>8</sub> (2322mm)
Ext. Depth Overall in.	26 <sup>1</sup> / <sub>8</sub> (665mm)	26 <sup>1</sup> / <sub>8</sub> (665mm)	26 <sup>1</sup> / <sub>8</sub> (665mm)	26 <sup>1</sup> / <sub>8</sub> (665mm)
Ext. Height Overall in.	49 <sup>1</sup> / <sub>2</sub> (1257mm)	49 <sup>1</sup> / <sub>2</sub> (1257mm)	49 <sup>1</sup> / <sub>2</sub> (1257mm)	49 <sup>1</sup> / <sub>2</sub> (1257mm)
Capacity (3gal. cans)	4	8	12	16
Gross Weight lbs.	227	375	518	672
Net Weight lbs.	172	297	419	551
# of Racks	4	8	12	16

Design and specifications subject to change without notice.  
Actual shipping weight may differ due to extra packing materials for product protection.

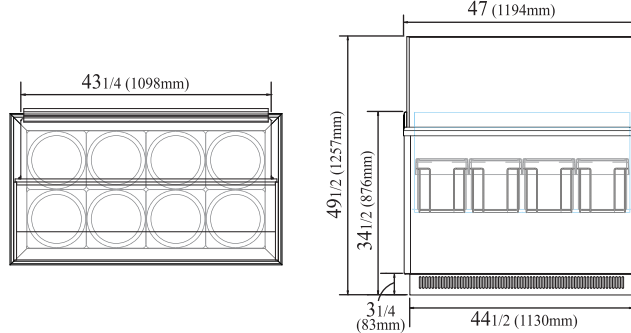
- **WARRANTY : 1 Year Parts and Labor Warranty**  
**Additional 4 Year Warranty on Compressor**
- **THESE MODELS ARE DESIGNED TO OPERATE IN AIR CONDITIONED ENVIRONMENTS WHERE TEMPERATURE AND HUMIDITY ARE BELOW 75°F AND 55% RELATIVE HUMIDITY.**
- **PLACE UNITS AWAY FROM DIRECT SUNLIGHT, RAPID AIR MOVEMENT AND EXTREME TEMPERATURE CHANGES.**

(unit : inch)

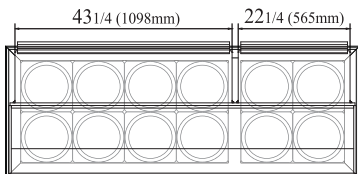
PLAN VIEW



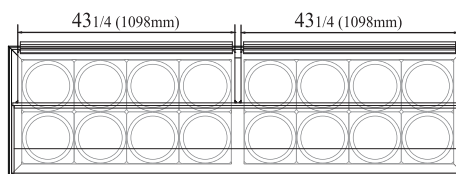
TIDC-26G(W)



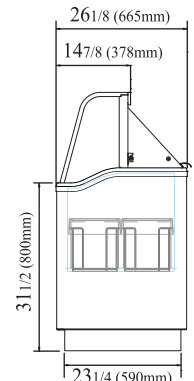
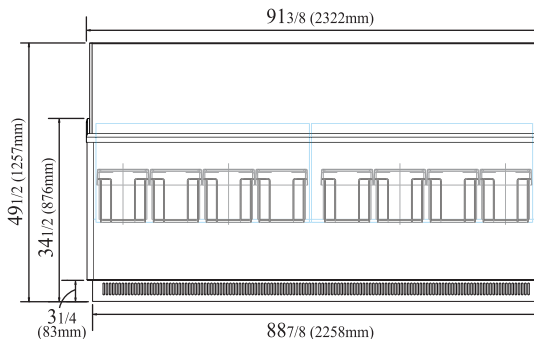
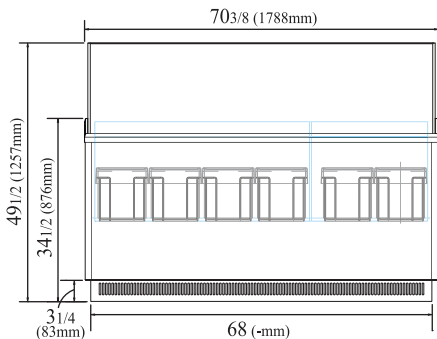
TIDC-47G(W)



TIDC-70G(W)



TIDC-91G(W)



SIDE VIEW