



Project:

Item Number:

Quantity:

**VERTICAL CUTTER/MIXER**



*Food Processor*

**MODELS**

40826    BCA7003 Cutter/Mixer

**FEATURES**

- Chops, mixes, and blends
- Suitable for continuous use applications
- Anodized aluminum body and stainless steel bowl for attractive look and easy cleaning
- Removable stainless steel "S" blade and bowl for easy cleaning
- Safety cutoff switch stops blade when lid is removed
- Constant RPM and clear lid allow operator to stop unit when product reaches preferred texture
- Non-skid rubber feet
- 6 ft. (1.8 m) cord with plug

**DESCRIPTION**

Great for preparing pâtés, mayonnaise, salsa, guacamole, and for chopping nuts and vegetables. Ideal unit for toppings and sauces, or to puree patients' food in hospitals and assisted living facilities.

**WARRANTY:** All models shown come with Vollrath's standard warranty against defects in materials and workmanship. For full warranty details, please refer to the Vollrath Equipment and Smallwares Catalog.

**Agency Listings**



*Due to continued product improvement, please consult [www.vollrathco.com](http://www.vollrathco.com) for current product specifications.*

Approvals	Date



Setting the Standard™

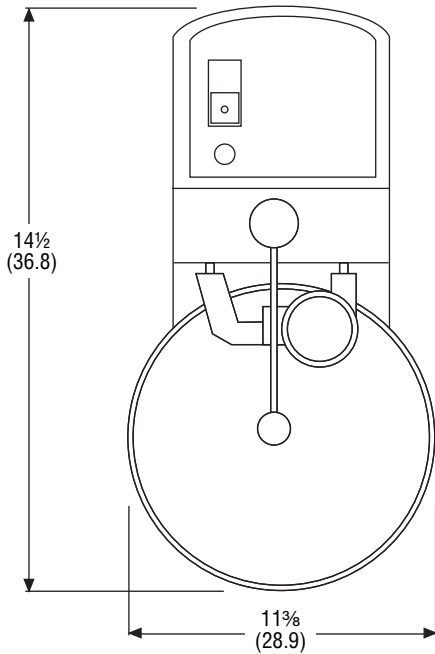
[www.vollrathco.com](http://www.vollrathco.com)

The Vollrath Company, L.L.C.  
1236 North 18th Street  
Sheboygan, WI 53081-3201 U.S.A.  
Customer Service: 800.628.0830  
Canada Customer Service: 800.695.8560  
Main Fax: 800.752.5620 or 920.459.6573

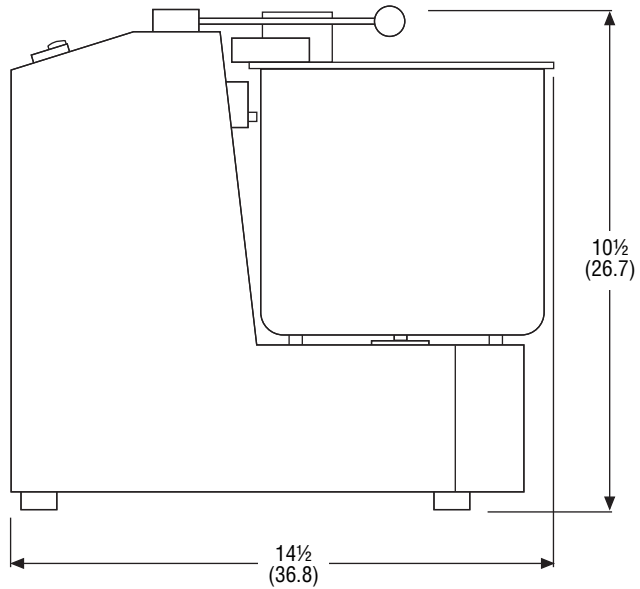
Technical Services: 800.628.0832  
Technical Services Fax: 920.459.5462

**VERTICAL CUTTER/MIXER****MODELS** 40826 BCA7003 Cutter/Mixer**DIMENSIONS**

Dimensions shown in inches (cm).



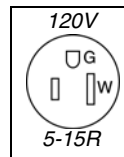
Top View



Side View

**SPECIFICATIONS**

Item	Capacity	Voltage	HP	Amps	Plug
40826	3 Qt	110	1/3	2.6	5-15P

**Receptacles**

www.vollrathco.com

The Vollrath Company, L.L.C.  
 1236 North 18th Street  
 Sheboygan, WI 53081-3201 U.S.A.  
 Customer Service: 800.628.0830  
 Canada Customer Service: 800.695.8560  
 Main Fax: 800.752.5620 or 920.459.6573

Technical Services: 800.628.0832  
 Technical Services Fax: 920.459.5462