

# WARING® COMMERCIAL HI-POWER BLENDERS



## **X** WARING COMMERCIAL **TREME** Hi-Power Blender Series

MX1050XT/MX1050XTP/MX1050XTS

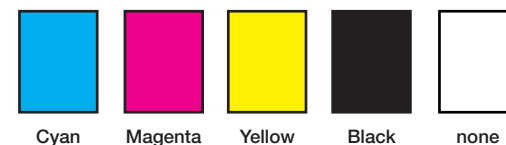
### Features

- Heavy-duty 3.5 peak input HP motor
- 45,000 RPM (bare motor speed)
- Great for smoothies, bar drinks, soups, salsas, sauces, desserts, dressings and more
- Easy-to-clean electronic membrane keypad with high, low and pulse functions
- One-piece dishwasher-safe removable jar pad
- Sound enclosure available for quiet operation (SE500/SE1000)



MX1050XT

### COLOR BREAK – PRINTING INKS



All art prints CMYK

Other Instructions:  
Hi res in place  
Bleed edges

Size: Letter

Date: 12/7/06 Initials: NT





# Xtreme Hi-Power Blender Series



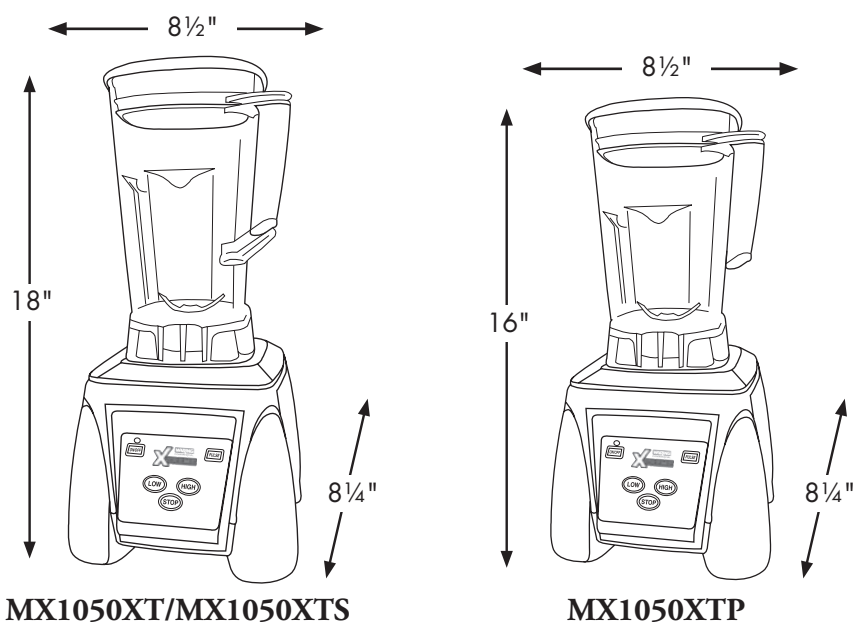
## MX1050XT/MX1050XTP/MX1050XTS

### Specifications

Item	Electrical	Listings	RPM (bare motor)	Dimensions (H" x W" x D")	Warranty
MX1050XT/ MX1050XTS	120 Volt, 13 Amp, 50/60 Hz	ETL,NSF	45,000	18"x8½"x8¼"	Limited 3 Year Motor and 2 Year Parts and Labor
MX1050XTP	120 Volt, 13 Amp 50/60 Hz	ETL,NSF	45,000	16"x8½"x8¼"	Limited 3 Year Motor and 2 Year Parts and Labor

### Ordering Information

Description	Catalog #	Std Pkg.	Ship Wt. (Lbs.)	Cubic Feet	UPC Code
Xtreme Hi-Power Blender with 64 oz. Polycarbonate Container	MX1050XT	1	15 lbs.	0.92	040072006739
Xtreme Hi-Power Blender with 48 oz. Polycarbonate Container	MX1050XTP	1	15 lbs.	0.92	040072006715
Xtreme Hi-Power Blender with 64 oz. Stainless Steel Container	MX1050XTS	1	16 lbs.	0.92	040072006722
48 oz. Polycarbonate Container	CAC93	1	3.5 lbs.	0.33	040072004575
64 oz. Polycarbonate Container	CAC89	1	3.5 lbs.	0.34	040072002342
64 oz. Stainless Steel Container	CAC90	1	6 lbs.	0.34	040072002359
Sound Enclosure for Xtreme Series 64 oz. Containers	SE1000	1	5.5 lbs.	1.05	040072002366
Sound Enclosure for Xtreme Series 48 oz. Containers	SE500	1	5 lbs.	0.95	040072007668



Waring Commercial • 314 Ella T. Grasso Ave. • Torrington • Connecticut 06790  
Tel. (800) 492-7464 • Fax (860) 496-9008 • www.waringproducts.com • ©2006 Waring

06WC30176  
PG-19936