

HOSHIZAKI

Series



KML-250/350M_H
Item # 13126 503

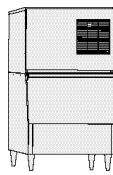
KML-250/350M_H SERIES



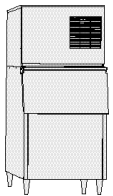
**KML-250MAH Cuber
Shown on Optional
B-500 Bin**

- KML-250MAH**
Air-Cooled
- KML-250MWH**
Water-Cooled
- KML-350MAH**
Air-Cooled
- KML-350MWH**
Water-Cooled

- Durable stainless steel exterior
- CycleSaver™ design 
- EverCheck™ alert system 
- Individual crescent cube eliminates splashing and displacement is excellent
- Stainless steel evaporator
- Removable air filters
- Lower height for restricted areas (stairwells, low ceilings)



B-250



B-500



DB-200

ICEMAKER DIMENSION Width x Depth x Height KML-250/350M_H 30 x 27 ^{3/8} x 22
DIMENSION BYBIN SIZE Width x Depth x Height B-250 30 x 32 ^{1/2} x 55 ^{3/8}
B-500 30 x 32 ^{1/2} x 68
DB-200 30 x 30 x 75

- KML-250M_H**
- Up to 314 lbs. of ice production per 24 hours
- KML-350M_H**
- Up to 354 lbs. of ice production per 24 hours

© HOSHIZAKI AMERICA, INC.

618 Hwy. 74 S., Peachtree City, GA30269

TEL1-800-438-6087

FAX 1-800-345-1325

www.hoshizaki.com



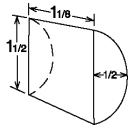
Reliability is a beautiful thing®

LOW PROFILE MODULAR CRESCENT CUBER

KML250/350 M_H SERIES DIMENSIONS (Inches) - CONNECTIONS

LOW PROFILE MODULAR CRESCENT CUBER

KML-250MAH (AIR-COOLED)
 KML-250MWH (WATER-COOLED)
 KML-350MAH (AIR-COOLED)
 KML-350MWH (WATER-COOLED)



- Up to 314 & 354 lbs. of ice production per 24 hours
- Individual unique crescent cube eliminates splashing and displacement is excellent



WARRANTY THREEYEAR - Parts & Labor on entire machine. FIVEYEAR - Parts & Labor on: Evaporator FIVEYEAR - Parts on: Compressor; Air-Cooled Condenser.	STAINLESS STEEL INTERNAL EVAPORATOR	SERVICE Panels easily removed and all components accessible for service. Removable/cleanable air filters.
	R-404 REFRIGERANT	

Warranty valid in United States, Canada, Puerto Rico, & U.S. Territories. Contact Factory for Warranty in other Countries.

STORAGE BINS

- B-250 - 250 lb. Application Capacity (230 lb. ARI-Rated Capacity Bin)
- B-500 - 500 lb. Application Capacity (360 lb. ARI-Rated Capacity Bin)
- B-700 - 700 lb. Application Capacity (550 lb. ARI-Rated Capacity Bin)
- B-800 - 800 lb. Application Capacity (600 lb. ARI-Rated Capacity Bin)
- B-900 - 900 lb. Application Capacity (660 lb. ARI-Rated Capacity Bin)
- B-1200 - 1200 lb. Application Capacity
- B-1500 - 1500 lb. Application Capacity

OPERATING LIMITS

Ambient Temp Range 45 - 100°F
 Water Temp Range 45 - 90°F
 Voltage Range 104 - 127V
 Water Pressure 10 - 113 psig

ELECTRICAL & PLUMBING

115/60/1
 20 amp Max Fuse/HACR Breaker Size
 1/2" OD copper or equivalent independent potable water supply
 3/4" independent drain connection

AIR - COOLED KML-250 / KML-350

Water Temp ° F.	50°	70°	90°	
Air Temp ° F.	70°	307 / 350	284 / 336	267 / 309
	80°	289 / 339	253 / 317	245 / 287
	90°	284 / 336	227 / 301	215 / 272

WATER - COOLED KML-250 / KML-350

Water Temp ° F.	50°	70°	90°	
Air Temp ° F.	70°	314 / 354	304 / 345	290 / 330
	80°	306 / 347	290 / 334	277 / 316
	90°	304 / 345	279 / 324	265 / 307

UTILITY CONSUMPTION

Model Number	Ice Production Per Cycle		KWH per 100 lbs.	Potable* Water Gallons per 100 lbs.	Condenser* Water Gallons per 100 lbs.
	Lbs.	Cubes			
KML-250MAH	6.6	360	8.4	33.2	NA
KML-250MWH	6.6	360	6.5	37.2	146
KML-350MAH	7.3	360	7.6	25.5	NA
KML-350MWH	7.3	360	6.6	26.9	124

SPECIFICATIONS

Model Number	Condenser	Amperage	Min. Circuit Ampacity	Shipping Weight
KML-250MAH	Air-Cooled	8.2	20	180 lbs.
KML-250MWH	Water-Cooled	7.5	20	180 lbs.
KML-350MAH	Air-Cooled	11	20	180 lbs.
KML-350MWH	Water-Cooled	10.5	20	180 lbs.

*At 90° Air / 70° Water

We reserve the right to change specifications without notice.

© HOSHIZAKI AMERICA, INC.

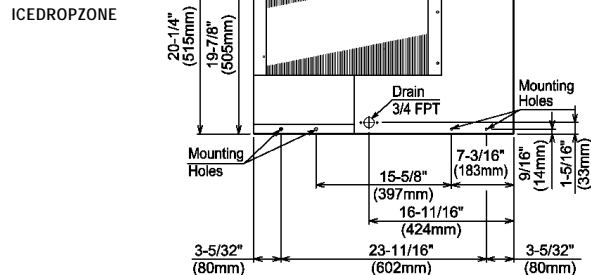
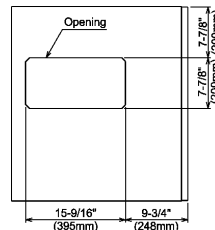
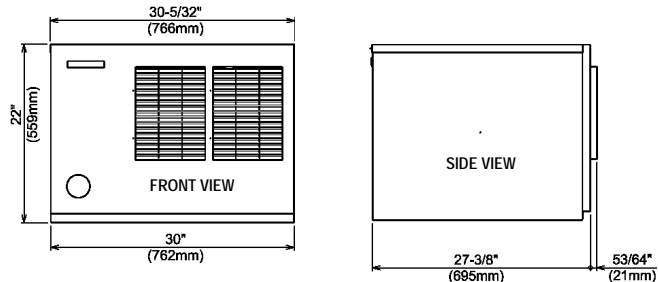
618 Hwy. 74 S., Peachtree City, GA30269

TEL1-800-438-6087

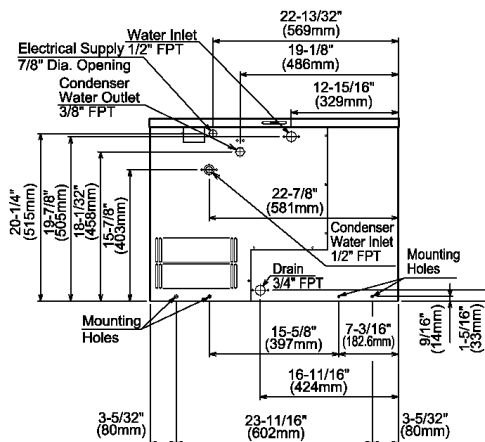
FAX 1-800-345-1325

www.hoshizaki.com

Printed in U.S.A.



AIR-COOLED UNIT

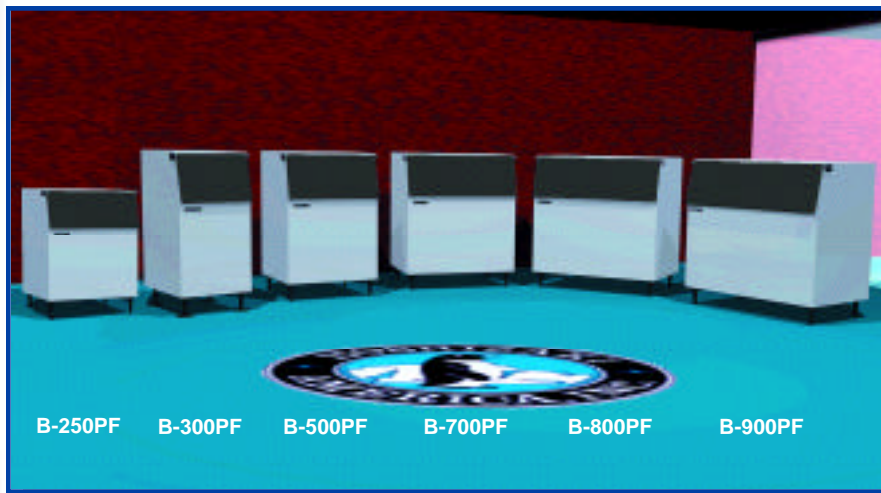


WATER-COOLED UNIT

HOSHIZAKI

PF Bin
Item # 13124
1202

PF BIN SERIES



B-250PF B-300PF B-500PF B-700PF B-800PF B-900PF

- B-250PF**
230 Lbs. Storage
- B-300PF**
260 Lbs. Storage
- B-500PF**
360 Lbs. Storage
- B-700PF**
550 Lbs. Storage
- B-800PF**
600 Lbs. Storage
- B-900PF**
660 Lbs. Storage

- Ice storage capacity from 250 lbs. up to 900 lbs.
- Vinyl clad galvanized steel cabinet exterior design for easy cleaning
- Long lasting attractive appearance
- Polyethylene bin liner for sanitary storage
- Sturdy construction for side by side or stacked icemaker installation
- Foamed-in-place polyurethane insulation, in all bin walls and bottom, provides dependable ice storage

ICE STORAGE BINS



© HOSHIZAKI AMERICA, INC.

618 Hwy. 74 S., Peachtree City, GA30269 TEL1-800-438-6087



FAX 1-800-345-1325



www.hoshizaki.com



Reliability is a beautiful thing®

PF BIN SERIES

DIMENSIONS (Inches) - CONNECTIONS

ICE STORAGE BINS

B-250PF (230 LBS. STORAGE) B-700PF (550 LBS. STORAGE) ■ Ice storage capacity from 250 lbs. up to 900 lbs.
 B-300PF (260 LBS. STORAGE) B-800PF (600 LBS. STORAGE)
 B-500PF (360 LBS. STORAGE) B-900PF (660 LBS. STORAGE)



WARRANTY
 TWOYEAR - Parts & Labor

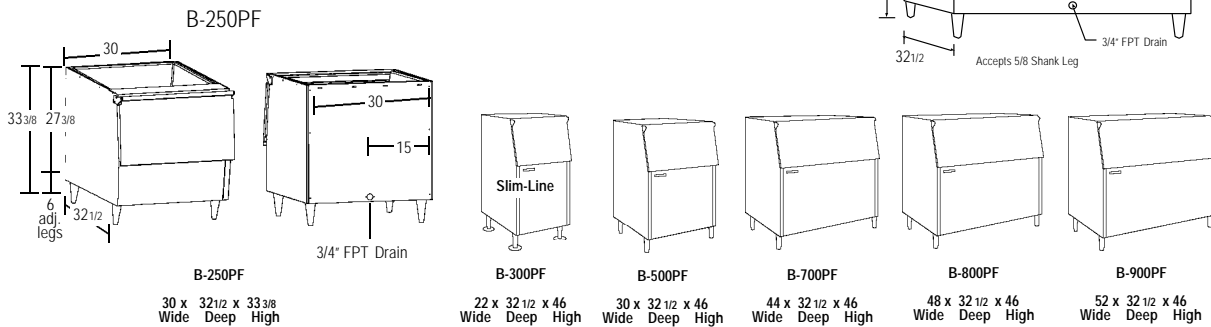
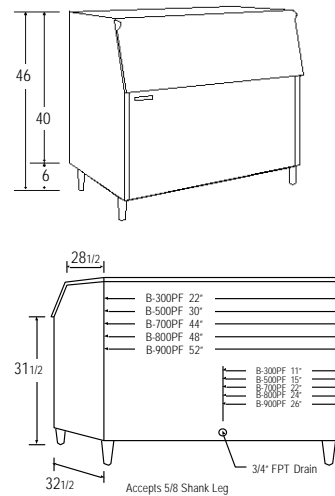
Warranty valid in United States, Canada, Puerto Rico, & U.S. Territories. Contact Factory for Warranty in other Countries.

ICEMAKER MODEL APPLICATION

Model Number	Application Storage Capacity	ARI Rated Storage Capacity	Use with Icemaker Model	Shipping Weight
B-250PF	250 lbs.	230 lbs.	KM-900M, KM-1300M, KML-250M, KML-450M, F-2000M Series without Top Kit, KM-280M, KM-500M, KM-630M, F-1001M Series with Top Kit-8H	125 lbs.
B-300PF	300 lbs.	260 lbs.	KM-280M, KM-500M, KM-630M, F-800M, F-1001M Series without Top Kit	135 lbs.
B-500PF	500 lbs.	360 lbs.	KM-280M, KM-500M, KM-630M, F-800M, F-1001M Series with Top Kit-8H, KML-250M, KML-350M, KML-450M, KML-600M, KM-900M, KM-1300M, KM-1600M, F-2000M Series without Top Kit	154 lbs.
B-700PF	700 lbs.	550 lbs.	KM-280M, KM-500M, KM-630M, F-800M, F-1001M Series with Top Kit-22H, (2)KM-280M, (2)KM-500M, (2)KM-630M, (2)F-800M, (2)F-1001M Series without Top Kit, KM-900M, KM-1300M, KM-1600M, F-2000M Series with Top Kit-14H	200 lbs.
B-800PF	800 lbs.	600 lbs.	KM-280M, KM-500M, KM-630M, F-800M, F-1001M Series with Top Kit-22H + Top Kit-4H, (2)KM-280M, (2)KM-500M, (2)KM-630M, (2)F-800M, (2)F-1001M Series without Top Kit, KM-900M, KM-1300M, KM-1600M, KM-1800S, F-2000 Series with Top Kit-14H	220 lbs.
B-900PF	900 lbs.	660 lbs.	KM-280M, KM-500M, KM-630M, F-800M, F-1001M Series with Top Kit-22H + Top Kit-8H, (2)KM-280M, (2)KM-500M, (2)KM-630M, (2)F-800M, (2)F-1001M Series with Top Kit-8H, KM-900M, KM-1300M, KM-1600M, F-2000M Series with Top Kit-22H, KM-1300S, KM-1600S, KM-1800S, KM-2000S, KM-2400S Series with Top Kit-4H	230 lbs.

TOP KIT APPLICATION

Bin	22" Width KM-280M KM-500M KM-630M F-450M F-800M F-1001M	30" Width KM-900M KM-1300M KM-1600M KML-250, KML-350 KML-450M KML-600M F-2000M	44" Width 2 KM-250M 2 KM-500M 2 KM-630M 2 F-450M 2 F-1001M 2 F-800M	48" Width KM-1300S KM-1600S KM-1800S KM-2000S KM-2400S
30" Width- B-250PF	NEED TOPKIT-8H	NO TOPKIT NEEDED		
22" Width- B-300PF	NO TOPKIT NEEDED			
30" Width- B-500PF	NEED TOPKIT - 8H	NO TOPKIT NEEDED		
44" Width- B-700PF	NEED TOPKIT - 22H	NEED TOPKIT - 14H	NO TOPKIT NEEDED	
48" Width- B-800PF	NEED TOPKIT - 22H & 4H	NEED TOPKIT - 14H & 4H	NEED TOPKIT - 4H	NO TOPKIT NEEDED
52" Width- B-900PF	NEED TOPKIT - 22H & 8H	NEED TOPKIT - 22H	NEED TOPKIT - 8H	NEED TOPKIT - 4H



We reserve the right to change specifications without notice.

Printed in U.S.A.

© **HOSHIZAKI AMERICA, INC.**

618 Hwy. 74 S., Peachtree City, GA30269

TEL1-800-438-6087

FAX 1-800-345-1325

www.hoshizaki.com