

SOLID FLIP TOP SERIES



Caravell SFT-52

FEATURES

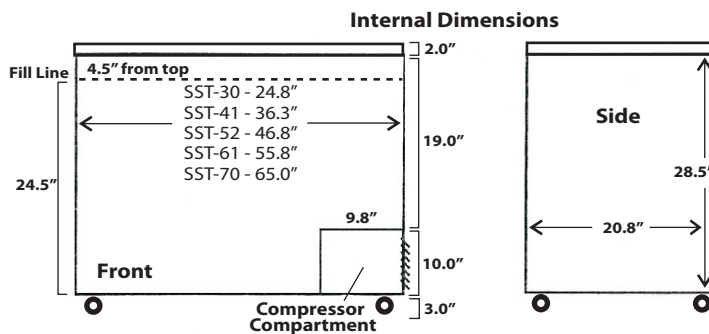
- ▶ Solid foam insulated flip-up lids
- ▶ White powder coated, baked on enamel exterior
- ▶ Aluminum interior
- ▶ Dual heavy duty casters
- ▶ Freezer temperature range +12 F to -18 F
- ▶ Bottom drain with plug
- ▶ Refrigerant CFC-free R-134a
- ▶ 8-ft power cord and plug set

OPTIONS

- ▶ Lock bar
- ▶ Locking casters
- ▶ Dual thermostat - temp range +0° to +40° F
- ▶ False bottom
- ▶ Custom Graphics

SPECIFICATIONS

Model	Factory Mdl #	False Bottom (Optional)	External Dimensions W x D x H	Gross Cu Ft	Net Cu Ft	Shipping Weight	Amps	H/P	Electrical
SFT-30	225-955	1	29.5" x 25.5" x 35.5"	6.7	5.3	135	3.0	1/4	115/120V, 60Hz
SFT-41	335-955	2	41.0" x 25.5" x 35.5"	10.4	8.3	166	4.0	1/4	115/120V, 60Hz
SFT-52	445-955	3	51.5" x 25.5" x 35.5"	13.7	11.0	203	5.0	1/3	115/120V, 60Hz
SFT-61	535-955	3	60.5" x 25.5" x 35.5"	16.6	13.4	211	6.0	3/8	115/120V, 60Hz
SFT-70	635-955	4	69.8" x 25.5" x 35.5"	19.5	15.9	213	6.0	3/8	115/120V, 60Hz



WARRANTY

18 Months Parts and Labor
5 Years Compressor (part only)

Administered by:
Metalfrío Solutions
(888) 403-0070 Toll Free

