



A JohnsonDiversey Company

180UC

High Temperature Undercounter Dishwasher

Item. # _____

Spec. # _____



FEATURES:

- 30 racks / 120 covers per hour.
- Automatic soil purging system. Filters wash water and traps plate debris in an external drawer. Drawer can be easily removed for dumping contents.
- Upper and lower rotating wash and rinse arms provide excellent cleaning and rinsing.
- All 304 stainless steel construction, no plastic parts to repair.
- Built-in booster heater. Economical, single source heat lowers energy costs.
- Large 14-1/2" height clearance accommodates larger dishes and half size sheet pans.
- Low water consumption. Uses only .86 gallons of water per cycle.
- Includes water pressure regulator valve.
- Pumped drain.

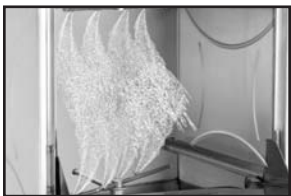
Patent Pending



Top mounted controls are easy to read and simple to operate.



Large 14-1/2" door clearance accommodates oversized plates and utensils.



Upper and lower rotating wash and rinse arms blast water in all directions for optimum cleaning and rinsing.



Soil purging system keeps the wash water clean assuring excellent results while reducing chemical costs.

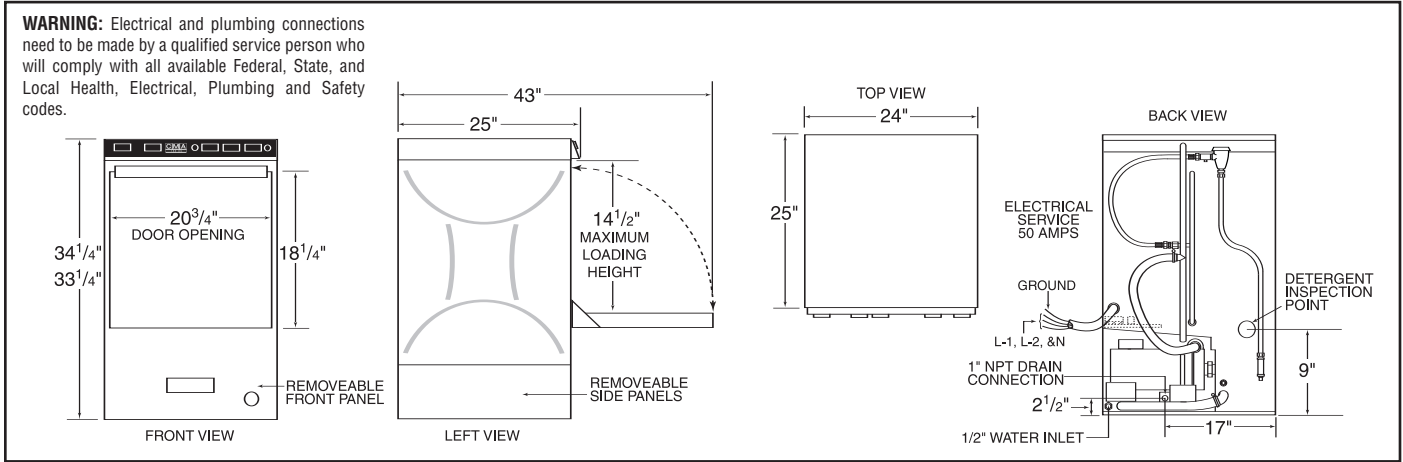
A/A # _____



A JohnsonDiversey Company

180UC

High Temperature Undercounter Dishwasher



Spec. #

Specifications:

	USA	(Metric)		USA	(Metric)
WATER CONSUMPTION			FRAME DIMENSIONS		
PER RACK	.86 GAL.	(3.25 L)	DEPTH	25"	(63.5 CM)
PER HOUR	20.6 GAL.	(77.8 L)	WIDTH	24"	(60.96 CM)
OPERATING CYCLE			HEIGHT	33-1/4"	(84.45 CM)
WASH TIME-SEC	94	94	MAX CLEARANCE FOR DISHES	14-1/2"	(36.8 CM)
RINSE TIME-SEC	16	16	WASH PUMP MOTOR	3/4 HP	3/4 HP
DWELL TIME-SEC	10	10	ELECTRICAL RATING*	208 VOLTS	230 VOLTS
TOTAL CYCLE TIME	2 MIN.	2 MIN.	TOTAL AMPS	33.0 AMPS	35.0 AMPS
OPERATING CAPACITY			BOOSTER HEATER KW	5.3 KW	6.5 KW
RACKS PER HOUR	30	30	*MUST CONNECT TO 50 AMP SUPPLY CIRCUIT.		
WASH TANK CAPACITY	2.5 GAL.	(9.46 L)	USE #8 AWG (MIN) 90°C STANDARD COPPER WIRE		
PUMP CAPACITY	38 GPM	(144 LPM)	THIS SYSTEM REQUIRES THREE POWER WIRES WHICH INCLUDES A CURRENT CARRYING NEUTRAL. AN ADDITIONAL FOURTH WIRE MUST BE PROVIDED FOR MACHINE GROUND.		
WATER REQUIREMENTS	140°F	(60°C)	SHIPPING WEIGHT		
WATER INLET	1/2"	(1.27 CM)	APPROXIMATE	234#	(106 KG)
DRAIN CONNECTION	1"	(2.54 CM)			
RINSE PRESSURE SET	20 PSI	1.41 KG/CM²			
CYCLE TEMPERATURES					
WASH-°F	150° F-160° F	(65.5°C/71°C)			
RINSE-°F	180° F-195° F	(82°C/90°C)			

Summary Specifications: CMA-180UC

The CMA Energy Miser model CMA-180UC undercounter dishwasher provides hot water (180°F) sanitizing through the use of a built-in booster heater. The unit comes standard with upper and lower stainless steel wash and final rinse arms, digital LED temperature gauges and easy to operate controls. The CMA-180UC incorporates an automatic soil purging system uniquely designed (patent pending) into the wash tank that enables the wash water to remain clean, assuring excellent results and less chemical use. The CMA-180UC is constructed entirely of 304 stainless steel. Uses standard 20"X20" dishracks and accommodates oversized plates and utensils with a 15" door clearance.

Options Available: CMA-180UC

- 48" undercounter dishtable
- Rinse pump
- Detergent and rinse pump
- Stainless Steel Pedestal
- 4 Inch legs P.N. 1147.50 (4 needed)
- 3 Minute Cycle

AIA #

