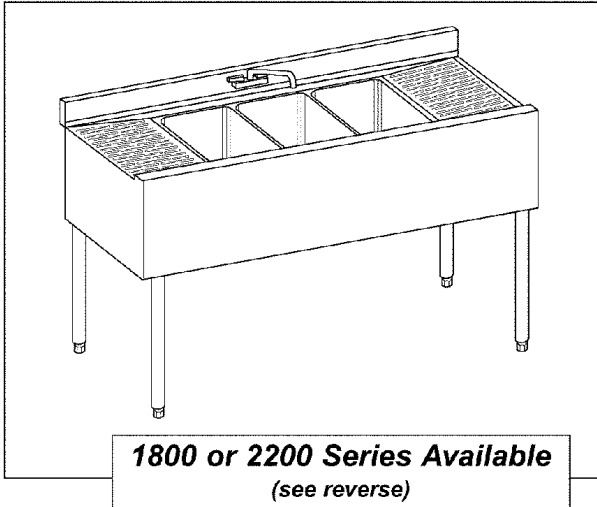


Model: _____

Item #: _____ Quantity: _____

Project: _____



- **Sink Bowl:**
20 gauge 304 series stainless steel 10" x 14" x 9 3/4" deep. 1 1/2" radius on all vertical and horizontal corners. Furnished with 1" stainless steel drain and 7 1/2" standpipe. Drain located in left rear corner.
- **Drainboard:**
20 gauge 304 series embossed stainless steel reinforced with welded braces every six inches. 3/4" radius on all vertical and horizontal edges.
- **Front Apron:**
22 gauge 304 series stainless steel clad over 20 gauge galvaneal.
- **Backsplash:**
22 gauge 304 series stainless steel clad over 20 gauge galvaneal.
- **Sides:**
20 gauge galvaneal.
- **Back and Bottom:**
20 gauge galvaneal.
- **Legs:**
1 5/8" tubular 16 gauge galvanized steel with grey plastic bullet foot.
- **Water Faucet:**
4" center splash mount faucet on 1800 models.
4" center deck mount faucet on 2200 models.
- **Plumbing:**
1/2" IPS hot and cold water
1" IPS drain connection

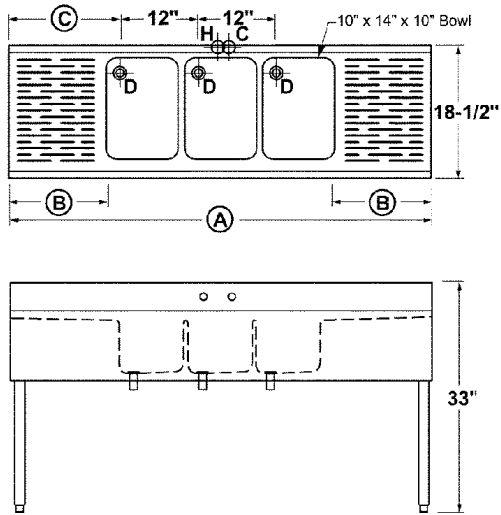
Accessories

- Standard Single Tier Keyhole Speedrail (available sizes: 24", 30", 36", and 48")
- Standard Double Tier Keyhole Speedrail (available sizes: 24", 30", 36", and 48")
- Waste Manifold
- Perforated Basket
- 1800 and 2200 Corner Return
- Side Splash
- Towel Ring
- Additional Accessories (see Accessory Sheet)

Approved By: _____

Model: _____ Item #: _____ Quantity: _____ Project: _____

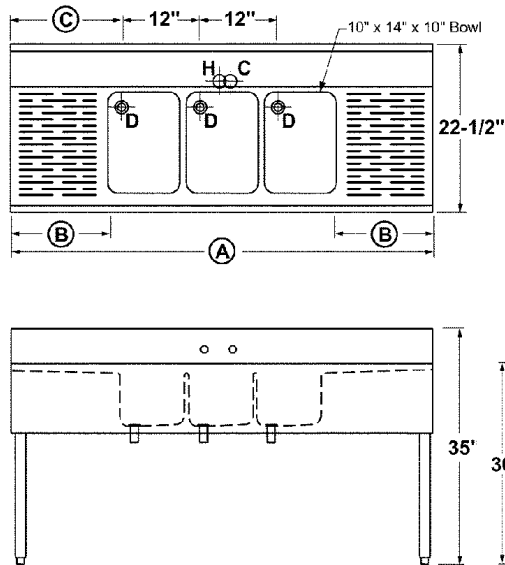
1800 Series



Model Numbers	Length (A)	Bowls	Drainboard (B)	Left Side to Drain (C)	Weight lbs
*18-1C	1'-0"	1	-	6"	40
18-31C	3'-0"	1	12" each	16"	48
18-32L	3'-0"	2	12" right	4"	53
18-32R	2'-0"	2	12" left	15"	53
18-42L	4'-0"	2	24" right	4"	55
18-42R	4'-0"	2	24" left	27"	55
18-42C	4'-0"	2	12" each	15"	55
18-33	3'-2"	3	n/a	4"	55
18-43L	4'-0"	3	12" right	4"	60
18-43R	4'-0"	3	12" left	15"	60
18-53C	5'-0"	3	12" each	15"	69
18-63C	6'-0"	3	18" each	21"	75
18-73C	7'-0"	3	24" each	27"	86
18-83C	8'-0"	3	30" each	33"	94
18-64C	6'-0"	4	12" each	15"	79
18-74C	7'-0"	4	18" each	21"	91
18-84C	8'-0"	4	24" each	27"	99

* Units with a 10" x 14" x 7" deep bowl

2200 Series



Model Numbers	Length (A)	Bowls	Drainboard (B)	Left Side to Drain (C)	Weight lbs
*22-1C	1'-0"	1	-	6"	43
22-31C	3'-0"	1	12" each	16"	51
22-32L	3'-0"	2	12" right	4"	56
22-32R	2'-0"	2	12" left	15"	56
22-42L	4'-0"	2	24" right	4"	58
22-42R	4'-0"	2	24" left	27"	58
22-42C	4'-0"	2	12" each	15"	58
22-33	3'-2"	3	n/a	4"	53
22-43L	4'-0"	3	12" right	4"	63
22-43R	4'-0"	3	12" left	15"	63
22-53C	5'-0"	3	12" each	15"	75
22-63C	6'-0"	3	18" each	21"	85
22-73C	7'-0"	3	24" each	27"	95
22-83C	8'-0"	3	30" each	33"	104
22-64C	6'-0"	4	12" each	15"	88
22-74C	7'-0"	4	18" each	21"	100
22-84C	8'-0"	4	24" each	27"	109

* Units with a 10" x 14" x 7" deep bowl

Mechanical Requirements:

1/2" IPS Hot and Cold Water.
1" IPS Drain Connection.

Approved By: _____

Due to our commitment to continued product improvement, specifications are subject to change without notice.