



TRUE FOOD SERVICE EQUIPMENT, INC.

St. Charles Industrial Center • P.O. Box 970 • O'Fallon, Missouri 63366
(636)240-2400 • FAX (636)272-2408 • (800)325-6152 • www.truemfg.com

Project Name: _____

AIA #

Location: _____

SIS #

Item #: _____ Qty: _____

Model #: _____

Specification Series

**TG (Deep Reach-In)
Freezer Series Solid Door Model**



TG1F-1S

True introduces its latest offering designed specifically to meet the needs of consultants.

Solid Door Deep Reach-In Freezer

TG1F-1S

SPECIFICATIONS / FEATURES

DOORS:

- 300 series stainless steel exterior with 300 series stainless steel door liner. Doors extend full width of cabinet shell. Door gaskets of one piece construction.
- Lifetime guaranteed adjustable torsion type closure system with extruded aluminum and stainless steel supports. The face of each door fitted with a 12" long recessed handle with interlock (lifetime guarantee on all handles and door hardware). Handles are foamed-in-place to insure permanent attachment.

INSULATION:

- Entire cabinet structure and doors insulated using foamed-in-place CFC free polyurethane foam.

SHELVING:

- (3) heavy duty, vinyl coated wire shelves per section (shipped separately). (3) different interior kits available. See "optional accessories" section. (field installation required).
- Optional interior kit must be indicated at time of order. Note: Tray slide sets and shelves can also be ordered individually.
- Standard backguard improves airflow.

LIGHTING:

- Incandescent interior lighting. Light(s) activated by rocker switch mounted above door(s).

REFRIGERATION SYSTEM:

- Oversized refrigeration system factory balanced using CFC free R404A refrigerant.
- Top mounted condensing unit.
- Factory pre-engineered capillary tube system with oversized condenser and evaporator to reduce product pull down time and to consistently maintain food safe -10°F interior cabinet temperature.
- Defrost system time initiated, temperature terminated.
- Automatic evaporator fan motor delay during defrost cycle.
- Large evaporator and coil heater permit short defrost cycle.
- Evaporator - epoxy coated at the time of manufacture to eliminate the potential of corrosion.

ELECTRICAL CHARACTERISTICS:

- Unit completely pre-wired at factory, and ready for final connection to a dedicated outlet. A cord and plug set to be included.
- A sole use circuit is required.



115/60/1
NEMA-5-15R

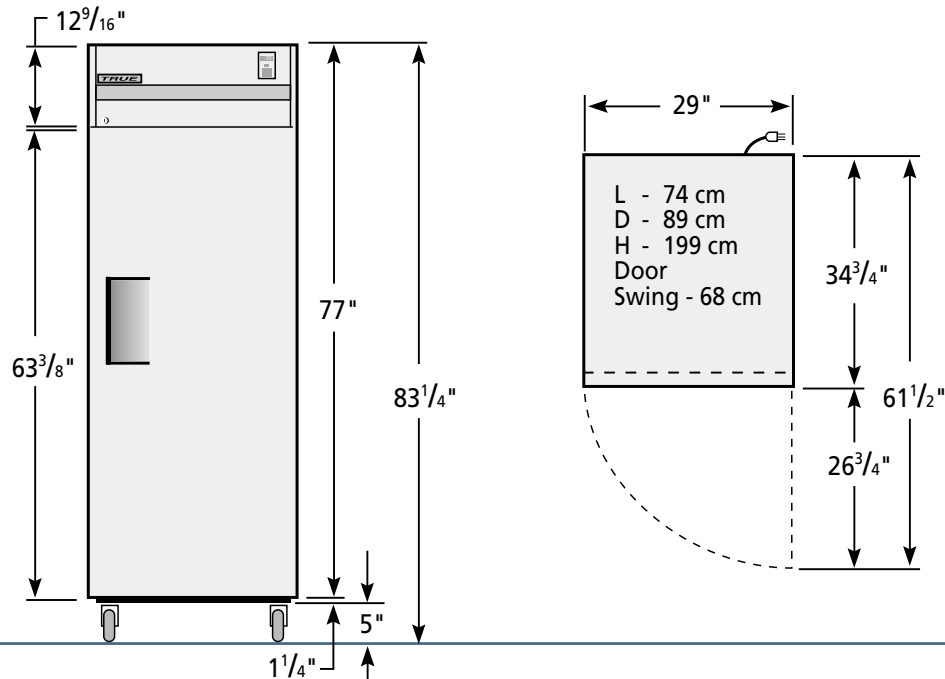
SPECIFICATIONS / FEATURES

CABINET CONSTRUCTION:

- Exterior - 300 series stainless steel front, shroud, doors & bottom. Anodized quality aluminum finished ends, top and back.
- Interior - NSF approved, white vinyl coated aluminum interior side walls and back. 300 series stainless steel interior door liner and 300 series stainless steel floor. Construction of liner in accordance with NSF standards.
- Barrel lock standard for each door. Locks keyed alike.
- Digital exterior temperature monitor with manual defogger control, large LED display for quick and easy temperature identification.
- Cabinet mounted on a welded, galvanized frame rail, enamel dipped and baked for permanent bond on all surfaces, provides additional corrosion protection. Frame rail fitted with 4" diameter polyolefin castors, (front castors include brakes).

Remote cabinets available 14% off list (condensing units supplied by others). Consult factory technical service dept. for BTU information.	Curb mountable units for TR/TA/TG series only. (5% list upcharge)
--	---

Printed in U.S.A.		APPROVALS: Specifications subject to change without notice.
10/03	Exceptions:	


Rough-In Data

Model	Doors	Capacity (Cu. Ft)	Dimensions (inches)			HP	Volts	PH	Amps	NEMA Config.	Cord Length (feet)	Crated Weight
			L	D	H*							
TG1F-1S	1	31	29	34 3/4	78 1/4	1/2	115	1	10.8	5-15	9	410

* Height does not include 5" for castor height or 6" for optional legs.

Specifications subject to change without notice.

Standard Features

- Oversized and balanced, environmentally friendly (R404A) refrigeration system holds -10°F.
- Exterior - 300 series stainless steel front, doors & bottom. Anodized quality aluminum finished ends, back & top.
- Interior - NSF approved, white vinyl coated aluminum sides. 300 series stainless floor and door liner.
- Recessed handles (lifetime guaranteed).
- Door locks standard.
- Exterior mounted digital electronic thermometer with manual defogger.
- Wide door openings.
- (3) heavy duty, vinyl coated shelves per section (shipped separately) (3) different interior kits available. Kit selection must be indicated at time of order. (field installation required).
- Magnetic door gaskets.
- Epoxy coated evaporator.
- Incandescent interior lighting.
- 4" diameter swivel castors standard equipment - locking castors provided for front set.
- Large evaporator and coil heater permit short defrost cycle.
- Defrost system time initiated, temperature terminated.
- Automatic evaporator fan motor delay during defrost cycle.
- Minimum wattage heater in cabinet frame and door.
- Standard backguard - improves airflow.
- Top mounted unit positioned out of food zone to maximize storage capacity.
- Positive seal self-closing doors with factory tested (over 1,000,000 times) lifetime guaranteed door hinges and torsion type closure system.
- Foamed-in-place polyurethane high density cell insulation (CFC free).
- Hot gas condensate for energy efficiency.

- Self-contained system.
- 1 year parts & labor warranty (USA).
- 5 year compressor warranty (USA).

Optional Accessories

- 6" stainless steel legs.
- Seismic/Flanged legs.
- Kit #1 (9 sets of #1 type tray slides).
- Kit #2 (rod type 1 set covers 1/2 section).
- Kit #3 (6 sets of universal type tray slides).
- Kit #4 (3 chrome shelves and shelf supports)
- Stainless steel (electro polished) shelves.
- Chrome shelves.
- Metal handle (solid doors only).
- Cam lift hinge (solid door models only).
- Electronic temperature control.
- Universal pan slides.
- #1 pan slides.
- #2 or rod style pan slides.
- Curb mountable units.
- Export units available - consult factory.
- Correctional facility options - consult factory.
- Remote cabinets available (contact factory technical services for BTU information).

KCL	Model	Front	Right	Plan	3D
	TG1F-1S	TFQY50E	TFQX72S	TFQX60P	TFQX723