

Hand Sinks
Space Saver & Standard



HS12

Features

- 20 gauge, 304 stainless steel construction
- 18 gauge, 304 stainless steel wall mounted clip
- 1.5" drain basket included
- 4" gooseneck faucet included
- Has two holes punched on 4" centers
- NSF Listed

Benefits

- Durable handwashing stations by Jaxpro will ensure your facility is up to code and adhering to proper sanitary practices.
- Compact sizes will save space and fit into tight kitchens.



HS17

TYPE	ITEM #	OA DIMENSIONS	BOWL SIZE
Space Saver	HS12	16" x 12" x 14"	9" x 9" x 4"
Space Saver	HS12SP	16" x 12" x 14"	9" x 9" x 4"
Standard	HS17	15" x 17" x 15"	10" x 14" x 5"
Standard	HS17SP	15" x 17" x 15"	10" x 14" x 5"

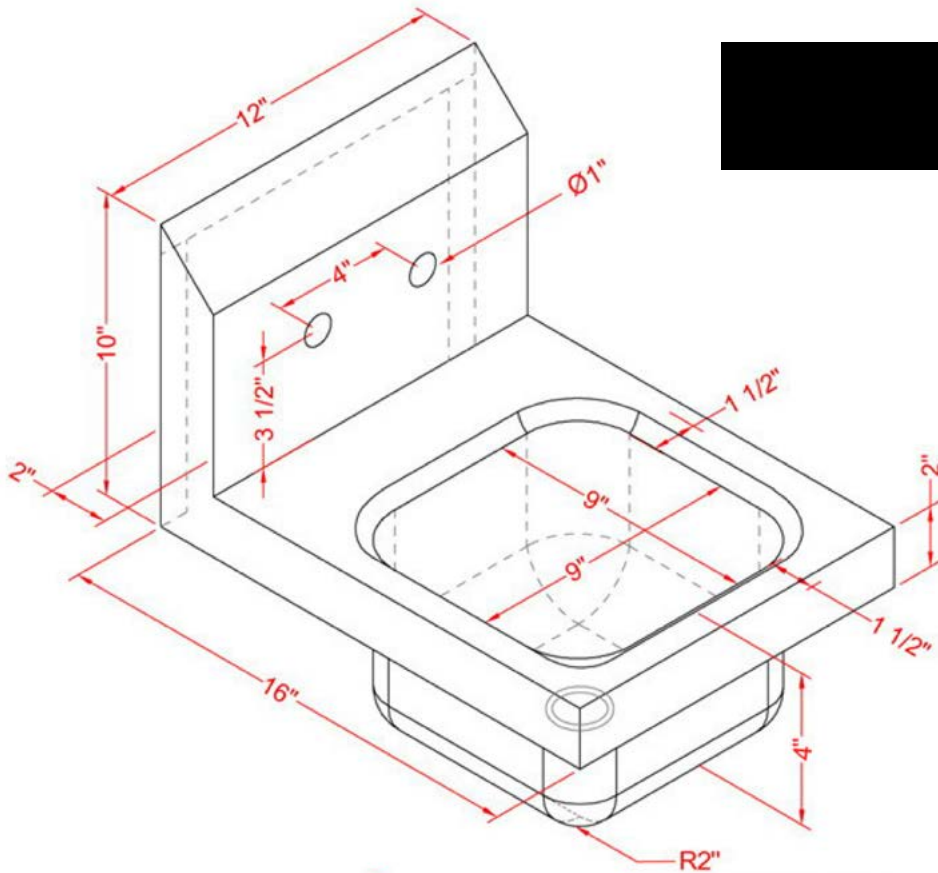


HS17SP

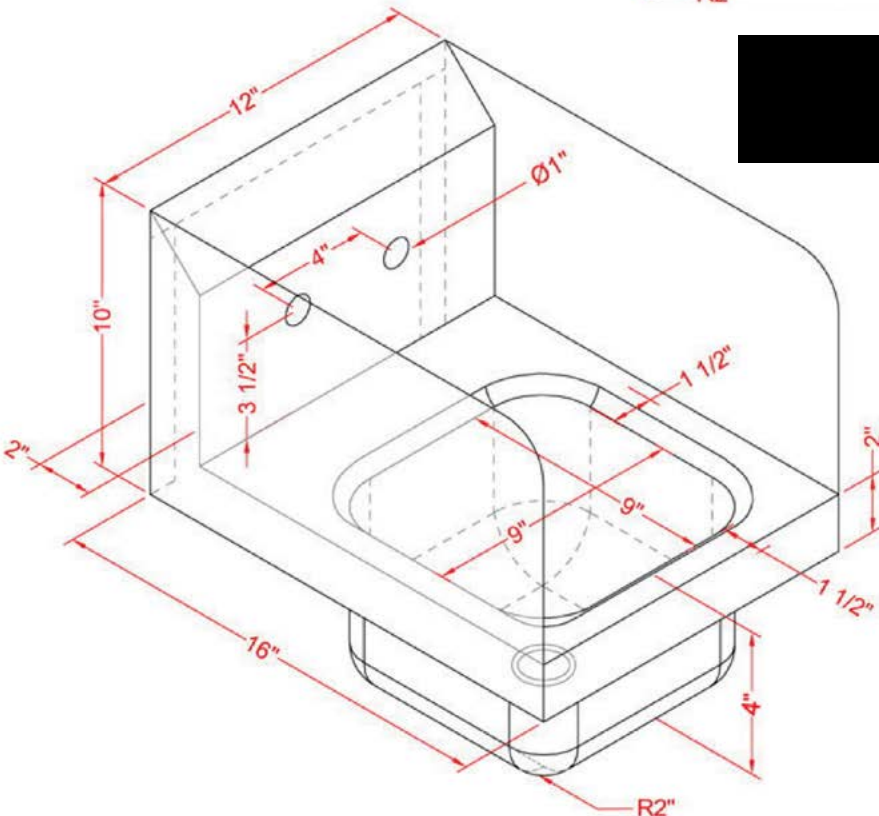


Hand Sinks
Space Saver & Standard

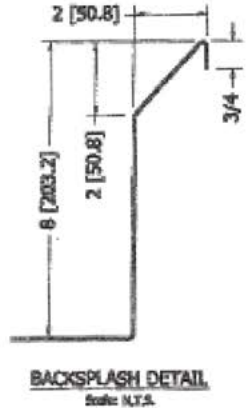
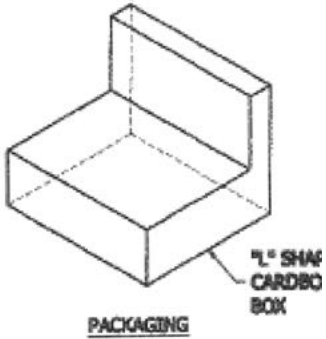
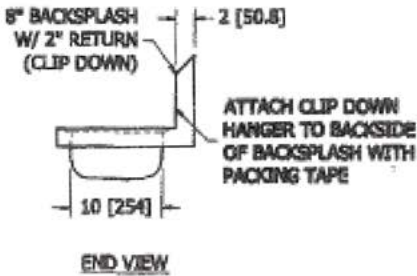
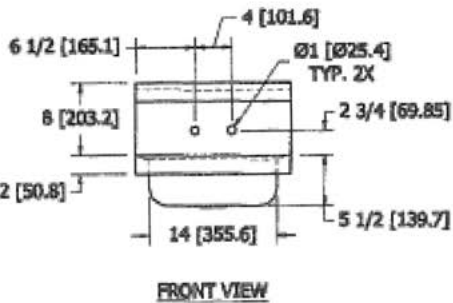
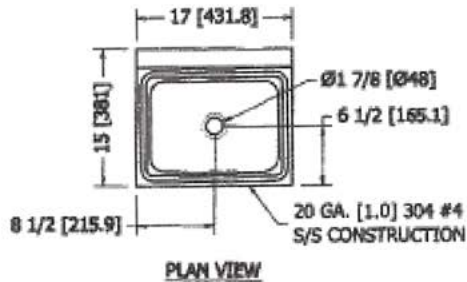
HS12



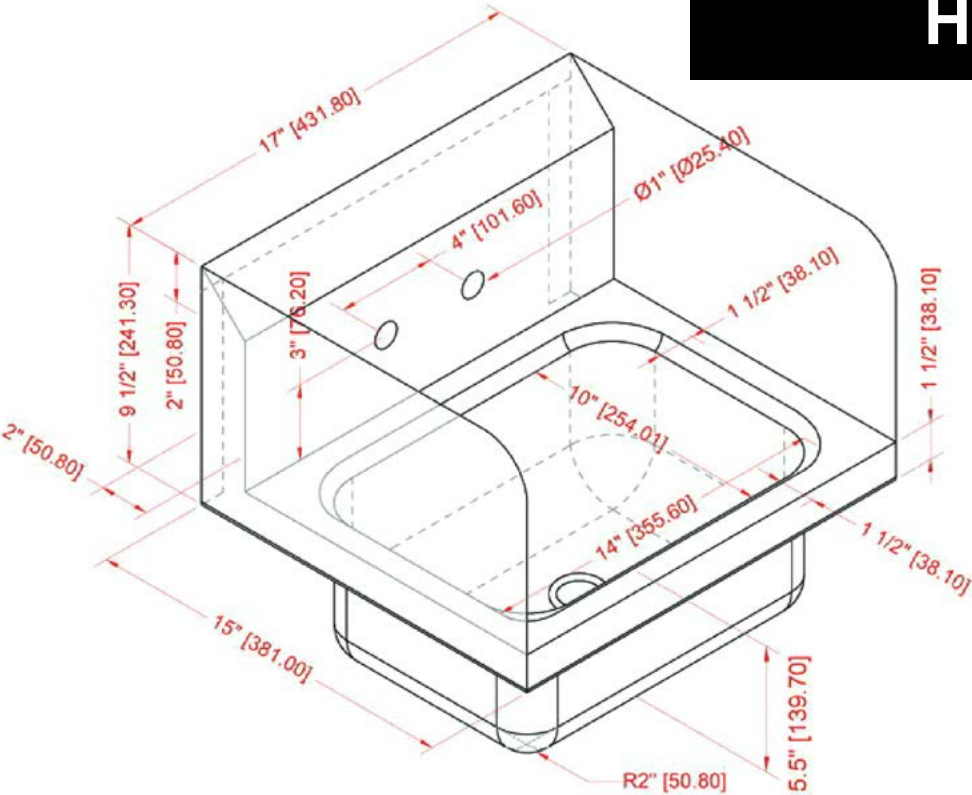
HS12SP



HS17



HS17SP



P.O. Box 10310
San Antonio, TX 78210
www.jaxprofsp.com
sales@jaxprofsp.com