

QCS3 SERIES

HIGH VOLUME CONVEYOR TOASTERS

Models QCS3-950H, QCS3-1000 & QCS3-1300

QCS Features/Benefits:

- ★ Holman's forced convection system keeps the toaster cool to the touch and extends the life of critical components. The forced convection increases productivity by circulating pre-heated air into toasting chamber.
- ★ Quartz infrared heaters provide faster, more consistent heating than traditional heating elements.
- ★ *NEW* longer lasting, heavy-duty metal knobs and 1" non-skid heavy-duty rubber feet.
- ★ High performance -
 QCS3-1300 produces an industry leading up to 1300 slices per hour.
 QCS3-1000 produces up to 1000 slices per hour.
 QCS3-950H with a 3" product opening produces up to 950 slices per hour.
- ★ High volume compact toaster - requires only 18-1/2" of counter space and the forced convection system allows the unit to be placed against a wall. Other toasters have louvers requiring additional counter space.
- ★ Easy to use control panel takes the guesswork out of temperature and speed control settings.
- ★ Variable speed and top/bottom heat control for perfect color and texture of bread, bagels, English muffins and more!
- ★ Energy efficient operation with power saver switch that reduces electricity consumption by 75%. And our quartz heaters return to full power in seconds vs. minutes for metal-sheathed elements.
- ★ Extended conveyor belt for easy loading and large warming area for higher production.
- ★ Safe load up area with full width coated front burn guard and cool to the touch exterior.
- ★ "Smart" crumb tray keeps the breadcrumbs from falling under the toaster.
- ★ Heated holding area to keep toast at the perfect temperature.
- ★ Hi-limit switch prevents toaster from overheating protecting critical component parts.
- ★ 24 hours 7 days a week technical support by Star technicians.



QCS3-950H



QCS3-1300

Applications:

Looking for high performance toasters that will keep pace with a hungry crowd - all day long. Our QCS3 series toasters will deliver day and night. Whether you are a high volume school cafeteria or a high volume breakfast restaurant, Holman's QCS3 series will provide high capacity and consistent toasting.

Quality Construction:

No matter how you slice it, Holman delivers high quality, reliable toasters. Stainless steel construction for long lasting durability. Heavy-duty motor, drive chain and conveyor speed control for superior reliability. Conveyor belt tension system for smooth and quiet operation. High performance quartz infrared heaters for superior toasting performance and reliability. Units are easy to disassemble with one-piece cover for cleaning and service. Toasters are furnished with 1" adjustable legs and 4' cord.

Warranty:

Holman's conveyor toasters are covered by a one-year parts and labor warranty.



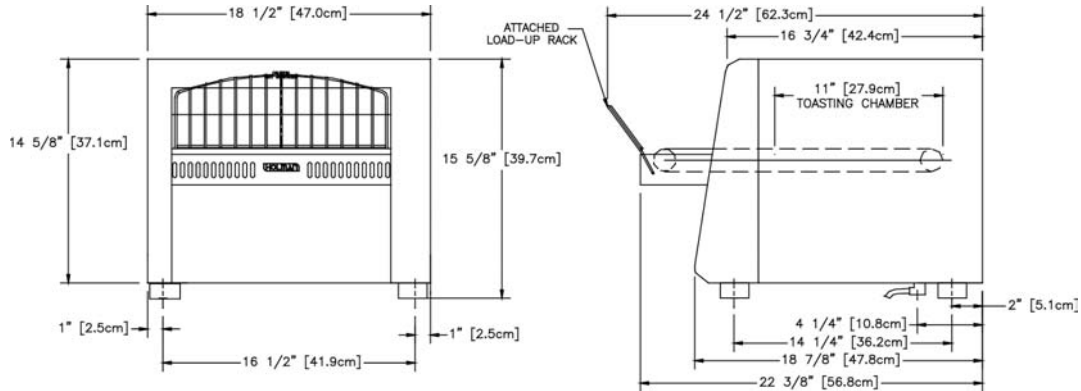


Star Manufacturing

QCS Conveyor Toasters

QCS3 SERIES HIGH VOLUME CONVEYOR TOASTERS

Models QCS3-950H, QCS3-1000 & QCS3-1300



Performance Data

Model No.	Production Capacity	Product Opening
QCS3-950H	Up to 950 slices or bun halves per hour	3"
QCS3-1000	Up to 1000 slices or bun halves per hour	1-1/2"
QCS3-1300	Up to 1300 slices or bun halves per hour	1-1/2"

Specifications

Model No.	Dimensions			Shipping Weight lbs (kg)	Shipping Carton		
	Width Inches (cm)	Depth Inches (cm)	Height Inches (cm)		Width Inches (cm)	Depth Inches (cm)	Height Inches (cm)
QCS3-950H	18-1/2" (47.0)	22-3/8" (56.8)	15-5/8" (39.7)	68 (30.8)	22-3/4" (57.7)	19-3/4" (50.1)	25-3/8" (64.4)
QCS3-1000	18-1/2" (47.0)	22-3/8" (56.8)	15-5/8" (39.7)	68 (30.8)	22-3/4" (57.7)	19-3/4" (50.1)	25-3/8" (64.4)
QCS3-1300	18-1/2" (47.0)	22-3/8" (56.8)	15-5/8" (39.7)	68 (30.8)	22-3/4" (57.7)	19-3/4" (50.1)	25-3/8" (64.4)

Electrical Data

Model No.	Volts	HZ 1 Phase	Amps	Watts	Heating Elements		NEMA
					Above Belt	Below Belt	
QCS3-950H	208	60	15.9	3200	2	2	6-20P
	240	60	13.8	3200	2	2	6-20P
	220	50	14.9	3200	2	2	Not Supplied with cord and plug
QCS3-1000	208	60	15.9	3200	2	2	6-20P
	240	60	13.8	3200	2	2	6-20P
	220	50	14.9	3200	2	2	Not Supplied with cord and plug
QCS3-1300	208	60	17.8	3600	3	3	6-30P
	240	60	15.5	3600	3	3	6-30P
	220	50	16.9	3600	3	3	Not Supplied with cord and plug

Can be supplied with metal sheathed heaters (no additional charge), however production will be reduced.

Typical Specifications

High volume conveyor toasters are constructed of corrosion resistant stainless steel. Supplied with heavy-duty motor, drive chain and fast heat up quartz infrared heaters. A conveyor belt tension system is supplied for a smooth, quiet operation. Units are supplied with variable speed control, top and bottom heat control, power saver and high limit switch. Extended conveyor belt, crumb tray, heated holding area and full width burn guard are standard. Unit has a one-piece cover for easy access with 1" adjustable legs and a 4' cord. Units are listed with UL, CUL and are UL certified to NSF4. Patent number D459,140. Printed in the U.S.A.

Due to periodic changes in designs, methods, procedures, policies and regulations, the specifications contained in this sheet are subject to change without notice. While Star Manufacturing exercises good faith efforts to provide information that is accurate, we are not responsible for errors or omissions in information provided or conclusions reached as a result of using the specifications. By using the information provided, the user assumes all risks in connection with such use.

Star Manufacturing - 10 Sunnen Drive - P.O. Box 430129 - St. Louis, MO 63143-3800
Phone: (314) 678-6303 - FAX: (314) 781-3636 - www.star-mfg.com