

iT1500 Ice Cube Machine

Models

- IDT1500A IDT1500W IDT1500N
- IYT1500A IYT1500W IYT1500N



Indigo NXT Series iT1500 Ice Machine on D970 Bin

Designed for operators who know that ice is critical to their business, the Indigo NXT Series ice machine's preventative diagnostics continually monitor itself for reliable ice production. Improvements in cleanability and programmability make your ice machine easy to own and less expensive to operate.

- **New levels of Performance** - Showcasing an average of 6% lower energy consumption, up to 9% increase in ice production and a 9% reduction in condenser water usage. This translates into lower cost of ownership over the life of your machine.
- **easyTouch[®] Display** - New icon based touch screen takes the guess work out of owning and operating an ice machine.
- **Programmable Ice Production** - Now its super easy to program your ice machine to be off at certain times of the day to save money with fluctuating electrical rates. Also programmable by daily ice production volume.
- **Easy to Clean Foodzone** - Easy Access front door panel. Removable water-trough, distribution tube, curtain, and sensing probes for fast and efficient cleaning. Select components made with AlphaSan[®] antimicrobial.
- **Intelligent Diagnostics** - Provides 24 hour preventative maintenance and diagnostic feedback for trouble free operation.
- **Acoustical Ice Sensing Probe** - Unique patented technology allows for reliable operation in challenging water conditions and environments.
- **DuraTech[®] Exterior** - Provides superior corrosion resistant above stainless steel. Innovative clear-coat resists fingerprints and dirt making it easier to keep clean.
- Available **LuminIce[®] II Growth Inhibitor** - Controls the growth of bacteria and yeast within the Food zone keeping the machine cleaner longer. A new indicator in the display keeps you abreast of the operational status.

Ice Machine Electric

208-230/60/1 standard
(208-230/60/3 also available.)

Minimum circuit ampacity:

Air-cooled:	15.4 1ph	12.8 3ph
Water-cooled:	14 1ph	11.3 3ph
Remote-cooled:	14 1ph	11.3 3ph

Maximum fuse size:

Air-cooled:	25 1ph	20 3ph
Water-cooled:	25 1ph	20 3ph
Remote-cooled:	25 1ph	20 3ph

Specifications

Operating Limits:

BTU Per Hour:
23,000 (average),
and 27,000 (peak)

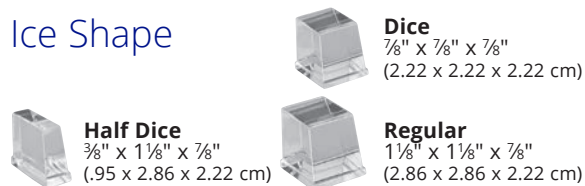
Refrigerant:

R-410 CFC-free

- Ambient Temperature Range:
40° to 110°F (4.4° to 43.3° C)
Water Temperature Range:
40° to 90°F (4.4° to 32.2° C)
- Water Pressure Ice Maker
Water In:
Min. 20 psi (137.9 kPa)
Max. 80 psi (551.1 kPa)



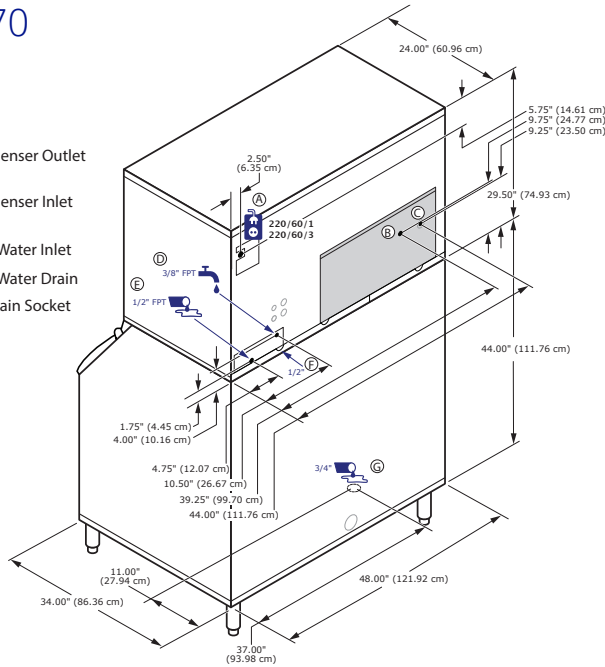
Ice Shape





iT1500 on D970 Storage Bin

- Ⓐ Electrical Entrance (2) Options
- Ⓑ 1/2" (1.27 cm) F.P.T. Water Condenser Outlet (water-cooled units)
- Ⓒ 3/8" (0.95 cm) F.P.T. Water Condenser Inlet (water-cooled units)
- Ⓓ 3/8" (0.95 cm) F.P.T. Ice Making Water Inlet
- Ⓔ 1/2" (1.27 cm) F.P.T. Ice Making Water Drain
- Ⓕ 1/2" (1.27 cm) Auxillary Base Drain Socket
- Ⓖ 3/4" (1.91 cm) Bin Drain



Installation Note

Air Cooled clearance:

- Top: 24" (61.0 cm)
- Sides: 24" (61.0 cm)
- Back: 5" (30.5 cm)

Water Cooled clearance:

- Top/Sides: 8" (20.3 cm)
- Back: 5" (12.7 cm)

Space-Saving Design



	iT1500 D970
Height	79.50" / 201.90 cm
Width	48.00" / 121.92 cm
Depth	34.00" / 86.30 cm
Bin Storage	710lbs / 322.2 kgs

Height includes adjustable bin legs 6.00" to 8.00", (15.24 to 20.32 cm) set at 6.00" (15.24 cm).

Specifications

	Model	Ice Shape	Ice Production 24 Hours		Power Usage kWh/100 lbs. @90°Air/70°F	Potable Water Usage/100 lbs. 45.4 kgs. of Ice
			70°Air/ 50°F Water	90°Air/ 70°F Water		
AIR-COOLED	IDT1500A	dice	1,800 lbs.	1,320 lbs.	4.45	20 Gal. / 75.7 L
			816 kgs	599 kgs		
AIR-COOLED	IYT1500A	half-dice	1,800 lbs.	1,360 lbs.	4.45	20 Gal. / 75.7 L
			862 kgs	617 kgs		
WATER-COOLED	IDT1500W	dice	1,725 lbs.	1,480 lbs.	3.27	20 Gal. / 75.7 L
			782 kgs	671 kgs		
WATER-COOLED	IYT1500W	half-dice	1,725 lbs.	1,420 lbs.	3.50	20 Gal. / 75.7 L
			782 kgs	644 kgs		
* Water-cooled Condenser Water Usage / 100 lbs. /45.4 kgs. Of Ice: 140 gal./ 530 L. * Water-cooled models are excluded from ENERGY STAR qualification.						
REMOTE-COOLED	IDT1500N	dice	1,710 lbs.	1,425 lbs.	3.90 ★	20 Gal. / 75.7 L
			776 kgs	646 kgs		
REMOTE-COOLED	IYT1500N	half-dice	1,770 lbs.	1,460 lbs.	3.90 ★	20 Gal. / 75.7 L
			803 kgs.	662 kgs		

Order separately: Ice storage bin for all units, line-set and remote condenser unit JCT1500 for remote cooled units.

★ENERGY STAR®

Accessories

LuminIce® II Growth Inhibitor
reduces yeast and bacteria growth for a cleaner ice machine.



External Scoop holder
Protect the ice scoop with the NSF approved versatile scoop holder.



Arctic Pure® Water Filters
Reduces sediment and chlorine odors for better tasting ice.



iAuCS®
schedules and performs routine ice machine cleaning automatically.



Welbilt reserves the right to make changes to the design or specifications without prior notice.