

Project Name: _____ AIA#: _____

Model #: _____ Location: _____

SIS#: _____ Item #: _____ Quantity: _____



NEW!

Power Drive Units

More Power, More Versatility!

Chop, grate, shred, slice and tenderize! Globe Power Drive Units boost food prep productivity with a heavy-duty 1 HP motor and an industry standard #12 attachment hub.



GPD-L

Models

- GPD-L - 200 RPMs
- GPD-H - 700 RPMs

Standard Features

- Powerful 1 HP fan-cooled motor
- Industry standard #12 Attachment Hub
- Brushed stainless steel construction with one-piece cast hub face
- Interlocked power switch prevents inadvertent operation
- #12 attachment coupler built into shaft
- Overload protection with manual reset button
- Non-scratch, non-slip feet

Warranty

- 1-year parts and labor warranty

Optional Accessories/Attachments

- **XVSGH** 9" slicer/shredder/grater housing
- **XASP** Adjustable slicing plate (*vegetables only*)
- **L00670** Meat tenderizer
- **L00783** Strip Cutter
- **XPH** Plate holder (*requires plate below*)

Shredder/Grater plates:

- XSP332** 3/32" (2.3 mm) shredding plate
 - XSP316** 3/16" (4.7 mm) shredding plate
 - XSP14** 1/4" (6.3 mm) shredding plate
 - XSP516** 5/16" (7.9 mm) shredding plate
 - XSP12** 1/2" (2.3 mm) shredding plate
 - XGP** grating plate
 - **XMCA-SS** Meat Grinder Assembly (*GPD-L only*)
- Grinding plates:**
- CP02-12** 1/16" (2 mm) plate
 - CP04-12** 5/32" (4 mm) plate
 - CP05-12** 3/16" (5 mm) plate
 - CP06-12** 1/4" (6 mm) plate
 - CP08-12** 5/16" (8 mm) plate
 - CP10-12** 3/8" (10 mm) plate
 - CP12-12** 1/2" (12 mm) plate
 - CP14-12** 9/16" (14 mm) plate
 - CP16-12** 5/8" (16 mm) plate
 - CP18-12** 11/16" (18 mm) plate
 - CP00-12** stuffing plate (*must be used with stuffing tube when stuffing sausage casings*)

Accessory Kits

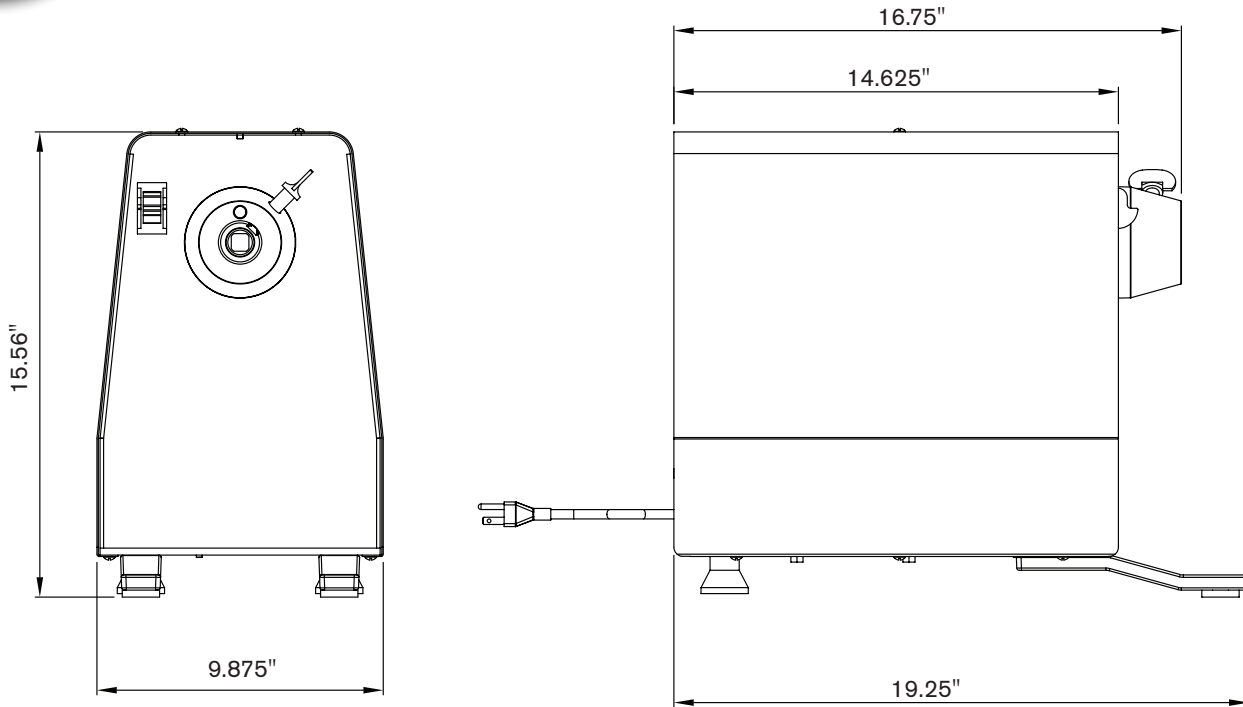
- **XVG** Housing and slicing plate
- **XVS** Housing, plate holder & 3/16" shredding plate
- **XGS** Housing, slicing plate, plate holder & 3/16" shredding plate

To select options see back

Approved by: _____ Date: _____



AutoQuotes



SPECIFICATIONS

| Model | RPMs | Motor | Amps | Volts | Capacity per Minute | | |
|---------------|------------|-------------|------|---------------|-----------------------|------------------------|------------|
| | | | | | Ground Beef | Grated Parmesan Cheese | Lettuce |
| GPD-L | 200 | 1 HP | 6 | 115 V / 60 Hz | 1 lb. | .67 lb. | 7 lbs. |
| GPD-H* | 700 | 1 HP | 6 | 115 V / 60 Hz | <i>Not applicable</i> | 1.5 lb. | 10.35 lbs. |

*High speed model not for grinding meat or shredding cheese

Cord & Plug: Attached 6 foot flexible 3-wire cord with molded plug fits a grounded receptacle. NEMA 5-15

DIMENSIONS | SHIPPING INFORMATION

Item ships in reinforced box. **GPD-L Freight Class 65 / GPD-H Freight Class 70**

| Model | Overall Dimensions | Net Weight | Shipping Dimensions | Shipping Weight |
|--------------|---|--------------------|--|----------------------|
| GPD-L | 9.875" W x 19.25" D x 15.56" H (25.1 cm x 48.9 cm x 39.5 cm) | 79 lbs. (36 kg) | 14" W x 22.75" D x 19" H (36.6 cm x 57.8 cm x 48.3cm) | 85 lbs. (38.5 kg) |
| GPD-H | 9.875" W x 19.25" D x 15.56" H (25.1 cm x 48.9 cm x 39.5 cm) | 72 lbs. (33 kg) | 14" W x 22.75" D x 19" H (36.6 cm x 57.8 cm x 48.3cm) | 77 lbs. (34.9 kg) |

Globe Power Drive Units constructed of stainless steel with one-piece cast hub. Power Drive Units have 1 HP fan cooled motors with overload protection and manual reset. #12 attachment hub with coupler built into shaft. Interlocked power switch prevents inadvertent operation. Non-slip, non-scratch feet. Units are CSA design certified, NSF and cETLus listed. One-year parts and labor warranty.

OPTIONAL/ADDITIONAL ACCESSORIES

- XVSGH** 9" Slicer/Shredder/Grater Housing
- XASP** Adjustable Slicing Plate (vegetables only)
- XPH** Plate Holder
- L00670** Meat Tenderizer
- L00783** Strip Cutter

Shredder/Grater plates:

- XSP332** 3/32" (2.3 mm) shredding plate
- XSP316** 3/16" (4.7 mm) shredding plate
- XSP14** 1/4" (6.3 mm) shredding plate
- XSP516** 5/16" (7.9 mm) shredding plate

- XSP12** 1/2" (2.3 mm) shredding plate
- XGP** grating plate
- XMCA-SS** Meat Grinder Assembly (GPD-L only)

Grinding plates:

- CP02-12** 1/16" (2 mm) plate
- CP04-12** 5/32" (4 mm) plate
- CP05-12** 3/16" (5 mm) plate
- CP06-12** 1/4" (6 mm) plate
- CP08-12** 5/16" (8 mm) plate
- CP10-12** 3/8" (10 mm) plate
- CP12-12** 1/2" (12 mm) plate
- CP14-12** 9/16" (14 mm) plate

- CP16-12** 5/8" (16 mm) plate
- CP18-12** 11/16" (18 mm) plate
- CP00-12** stuffing plate (*must be used with stuffing tube when stuffing sausage casings*)

ACCESSORY KITS

- XVG** Housing and slicing plate
- XVS** Housing, plate holder & 3/16" shredding plate
- XGS** Housing, slicing plate, plate holder & 3/16" shredding plate