



BC-20E

## BC-20E

Electric Combination-Oven/Steamer



Project \_\_\_\_\_

Item No. \_\_\_\_\_

Quantity \_\_\_\_\_

All data is shown per oven section, unless otherwise indicated.

Refer to operator manual specification chart for listed model names.

### EXTERIOR CONSTRUCTION

- Stainless steel top, front, sides and back
- Stainless steel door, right hand hinge only
- Dual pane tempered viewing window with hinged inner glass for easy cleaning
- Condensate drip pan on oven transport cart

### INTERIOR CONSTRUCTION

- Fully welded stainless steel frame
- Fully insulated cooking chamber
- Fixed drain bottom center of cavity
- Easily replaceable oven mounted door gasket

### OPERATION

- Standard control with four function selection switch for steam, hot air, combined steam/hot air, cool down, Vario Steam® and steam on demand feature
- Solid state rotary dial thermostat - range 150-500°F (66-260°C)
- Motor driven 120 minute timer shuts down at elapsed time
- Two speed fan
- Magnetic door interlock switch shuts off oven when door is opened
- Automatic temperature control
- Open vented system. Condenses steam and drains away by-products of the cooking process, eliminates flavor transfer
- Automatic steam regulation
- Self-contained, self-flushing steam generator separate from cooking compartment for instant steam recovery when switching modes
- Delimiting light flashes when steam generator requires delimiting

### CAPACITY

- TC14 - 28 steam table pans or 14 bake pans
- TC20 - 20 steam table pans or 20 bake pans
- TC10 Prison Cart - 20 steam table pans or 10 bake pans

### STANDARD FEATURES

- Fourteen (14) stainless steel wire shelves
- Internal Semi-Automatic Delimiting pump with delivery hose and delimiting container
- Pressure spray bottle
- Hose and spray assembly for interior cleaning
- TC14 transport cart (14 shelf positions)
- Factory installed water pressure regulator and vented drain assembly (2 per section)
- Start-up inspection service by factory authorized service agent - operational testing and installation inspection
- One year parts and labor oven warranty\*

\* For all international markets, contact your local distributor.

### OPTIONS AND ACCESSORIES

(AT ADDITIONAL CHARGE)

- **Additional transport cart (shelves not included)**
  - TC10 - 10 shelf position
  - TC14 - 14 shelf position
  - TC20 - 20 shelf position
  - 96 plate banquet cart
- MenuSelect control can hold multi-stage programming for up to 99 products, includes Cook & Hold, core probe cooking and USB port
- Locking control panel
- Locking door hasp
- Tamper proof screws
- Solid door (no glass)
- Additional stainless steel wire shelves
- Core temperature probe with digital readout
- 6-1/2" (165.1mm) seismic legs
- Chicken roasting rack
- Backflow preventer
- Extended warranty

### BLODGETT OVEN COMPANY

www.blodgett.com • 42 Allen Martin Drive, Essex Junction, VT 05452 • Phone: (802) 658-6600 • Fax: (802) 864-0183

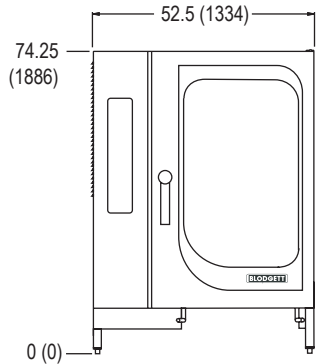


# BC-20E

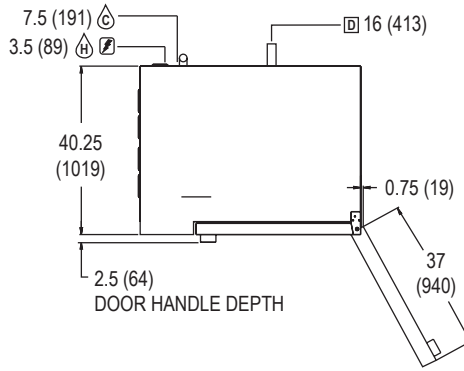


APPROVAL/STAMP

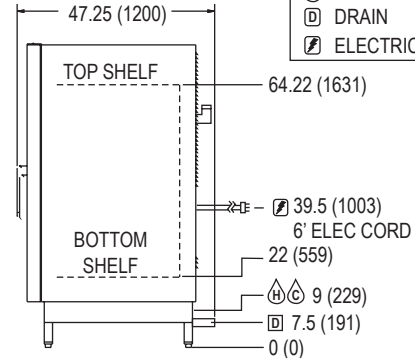
DIMENSIONS ARE IN INCHES (MM)



FRONT VIEW



TOP VIEW



SIDE VIEW

LEGEND	
	HOT WATER
	COLD WATER
	DRAIN
	ELECTRICAL

**SHORT FORM SPECIFICATIONS:** Provide Blodgett Combi model BC-20E single or double, electric combination-oven/steamer. Unit shall have the ability to cook with pressureless steam, hot air, or combination of steam and hot air. Dual pane tempered viewing window with hinged inner glass for easy cleaning. Unit shall allow the operator to choose four modes, steam, hot air, combi, retherm or cool down mode. Unit shall utilize a roll-in cart capable of being used in conjunction with a blast chiller or warming unit. Unit shall include two speed fan, steam on demand feature, and deliming indicator light. The interior shall have the capability of being hosed down for cleaning. Door gaskets shall be easily removable for replacement and cleaning. Unit shall be open vented for waist air quenching. Steam generator shall be separate from the cooking compartment in order to provide the fastest possible steam recovery. Steam generator shall flush automatically to cut down on mineral build up. Unit shall include delimiting container with semi-automatic pump for storing and dispensing delimiting solution. A start-up inspection service will be performed by our factory authorized agent at no cost to the operator.

**DIMENSIONS:**

Floor space: 47-1/4" D x 52-1/2" W (1200.2 x 1333.5mm)  
 Height: 77-1/4" (162.2mm)

**Oven clearances:**

Right Side 1" (25.4mm) from equipment  
 6" (152.4mm) from wall  
 Rear 6" (152.4mm)  
 Left Side 4" (102mm)

Blodgett recommends 12" (305mm) be maintained on the control side for servicing.

**MINIMUM ENTRY CLEARANCE:**

Uncrated 47-1/4" (1200mm)  
 Crated 49-1/4" (1251mm)

**SHIPPING INFORMATION:**

**Approx. weight:**

BC-20E 1200 lbs. (544 kg)  
 Transport Cart 135 lbs. (61 kg)

**Crate sizes:**

61" (1549.4mm) x 49" (1244.6mm) x 79" (2006.6mm)

**NOTE:** The company reserves the right to make substitutions of components without prior notice

**POWER SUPPLY:**

208VAC	60 Hz	61KW	3 phase (170 amp)
240VAC	60 Hz	61KW	3 phase (147 amp)
480VAC	60 HZ	61KW	3 phase (74 amp)

**MAXIMUM INPUT:**

Steam	45 kW
Hot Air	60 kW
Combi	60 kW

**WATER SUPPLY & DRAIN:**

Good quality water feed is the responsibility of the owner. Water quality must be within the following general guidelines.

TDS: 40-125 ppm	Hardness: 35-100 ppm	pH: 7.0 - 8.5
Silica: <13 ppm	Chlorides: <25 ppm	Chlorine: <0.2 ppm
Chloramine: <0.2 ppm		

The best defense against poor water quality is a water treatment system designed to meet your water quality conditions. Blodgett offers optional systems from Optipure.

Pressure: 40(min)-50(max) PSI  
 Connections: 2" drain connection - max. drain temperature 140°F (60°C)  
 3/4" garden hose cold water

The drain piping must consist of temperature resistant material, greater than 160°F, and be of adequate diameter not to cause flow restriction. Improper materials may deform and cause restrictions, thus affecting performance.

Appliance is to be installed with backflow protection in accordance with federal, state or local codes.

**BLODGETT OVEN COMPANY**

www.blodgett.com • 42 Allen Martin Drive, Essex Junction, VT 05452 • Phone: (802) 658-6600 • Fax: (802) 864-0183