

Keyhole Bracket for easier installation and greater stability.



7-PS-22



7-PS-23

WITH SOAP & TOWEL DISPENSERS



7-PS-84



7-PS-83

Item #: _____ **Qty #:** _____

Model #: _____

Project #: _____

FEATURES:

One piece **Deep Drawn** sink bowl design.

Sink bowl is 9" x 9" x 5".

All sink bowls have a large liberal radii with a minimum dimension of 1" and are square in design.

Keyhole wall mount bracket.

1 1/2" stainless steel drain with strainer plate.

Specific Features:

7-PS-22 and **7-PS-83** 4" O.C. centerset faucet furnished with aerator.

7-PS-23 and **7-PS-84** 4" O.C. splash mounted gooseneck faucet furnished with aerator.

7-PS-83 and **7-PS-84** liquid soap & towel dispenser with hinged towel box. Unit uses standard C-fold towels.

CONSTRUCTION:

All TIG welded.

Welded areas blended to match adjacent surfaces and to a satin finish.

Die formed Countertop Edge with a No-Drip offset.

One sheet of stainless steel - No Seams.

MATERIAL:

Heavy gauge type 304 series stainless steel.

Wall mounting bracket is stainless steel and of offset design.

All fittings are brass / chrome plated unless otherwise indicated.

MECHANICAL:

Faucet supply is 1/2" IPS male thread hot and cold.

**Standard Faucet conforms to NSF 61 Standard 9.
Faucets Are AB1953 Lead Free Compliant.**

For Replacement Faucets & Upgrades, Drains & Accessories visit our website at www.advancetabco.com

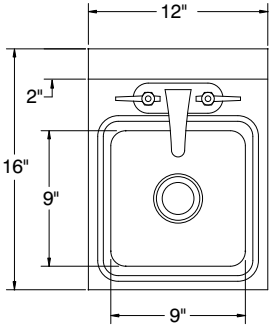
DIMENSIONS and SPECIFICATIONS

TOL Overall: ± .500" Interior: ± .250"

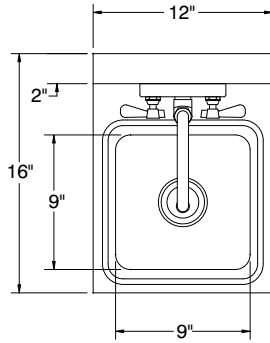
FITTINGS SUPPLIED AS SHOWN

ALL DIMENSIONS ARE TYPICAL

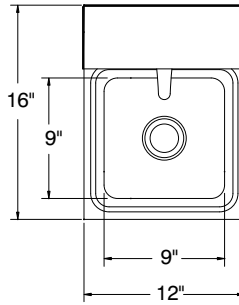
TOP VIEW FOR 7-PS-22



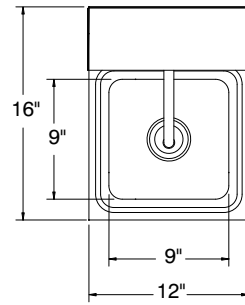
TOP VIEW FOR 7-PS-23



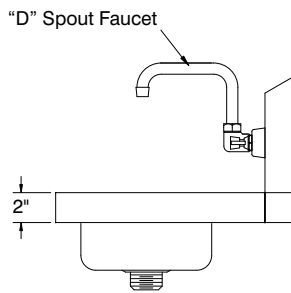
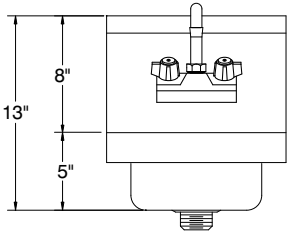
TOP VIEW FOR 7-PS-83



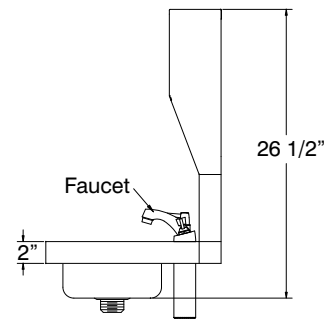
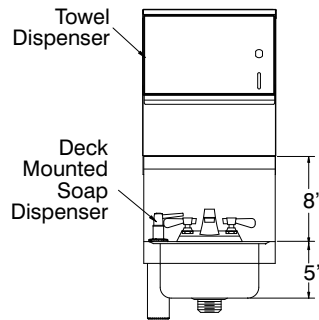
TOP VIEW FOR 7-PS-84



7-PS-23



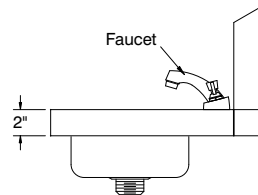
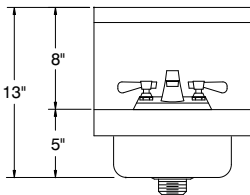
7-PS-83



12 lbs.

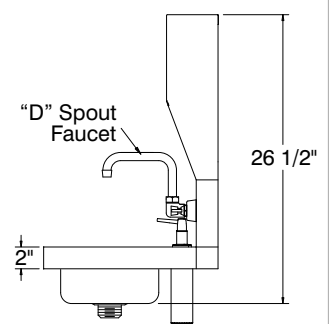
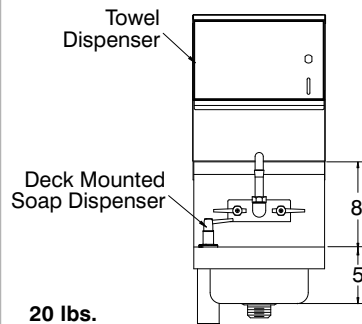
20 lbs.

7-PS-22



12 lbs.

7-PS-84



20 lbs.

