



Outperform every day.™

Project:

Item Number:

Quantity:

ULTRA SERIES DROP-IN INDUCTION RANGES



Ultra Series Drop-in Induction Ranges

DESCRIPTION

These high-efficiency, heavy-duty commercial drop-in induction ranges are designed for use in commercial kitchens and front-of-the-house cooking. They provide sensitive low-end control for cooking sauces, milks and chocolates as well as fast, high temperature cooking.

The case is made from 18-gauge 304 stainless steel with a vitro ceramic top. The ceramic top is easily cleaned with a mild cleaner.

The induction range is equipped with a variety of safety features including:

- Over-heat protection
- Small-article detection
- Pan auto-detection function
- Empty-pan shut-off

Agency Listings



This device complies with Part 18 FCC Rules.

Due to continued product improvement, please consult www.vollrath.com for current product specifications.

MODELS

- 69505 Single Hob – NEMA 6-20P Plug
- 6950502 Single Hob – Schuko CEE7-7 Plug
- 6950503 Single Hob – UK2-15 (BS546) Plug
- 6950505 Single Hob – AU2-15P Plug
- 69508 Dual Hob, Front to Back – NEMA 6-50P Plug

FEATURES

- G4 engine for long life
- 100 power settings for precise cooking control
- Controlled high-end temperatures for saute, stir fry, stock pot and sauce pot applications
- Sensitive low-end control for cooking delicate sauces, cremes, and chocolates
- Continuous duty induction circuitry for non-stop cooking
- 90% efficiency rating
- Double oversized fans for longer life
- Digital display is easy to clean – no knobs to collect food and helps prevent accidental temperature changes
- Sloped control panel for runoff of liquid spills
- "HOT" warning display for safety
- Rubber feet to prevent slipping of appliance
- FCC Part 18 Approved
- Units come with 6' (183 cm) cord and plug and do not require hard wiring
- Two-year parts and labor warranty

IMPORTANT

- This appliance is intended for use with induction-ready cookware.
- All models require unrestricted intake and exhaust air ventilation for proper operation of the controls. The maximum intake temperature must not exceed 110°F (43°C). Temperatures are measured in ambient air while all appliances in the kitchen are in operation.
- Drop-in models require a minimum clearance of 3 inches (7.6 cm) at the rear and 1 inch (2.5 cm) at the bottom.

WARRANTY: All models shown come with Vollrath's standard warranty against defects in materials and workmanship. For full warranty details, please refer to the Vollrath Equipment and Smallwares Catalog.

| Approvals | Date |
|-----------|------|
| | |

The Vollrath Company, L.L.C.
 Headquarters
 1236 North 18th Street
 Sheboygan, Wisconsin
 53081-3201 USA
 Tel: 800-624-2051 or
 920-457-4851
 Main Fax: 800-752-5620 or
 920-459-6573
www.vollrath.com

Vollrath Europe BV
 Beneluxbaan 7
 5121 AD RIJEN
 The Netherlands
 +31161870005

Vollrath of China
 Vollrath Shanghai Trading Limited
 23A, Time Square Plaza | 500
 Zhang Yang Road
 Pudong, Shanghai 200122
 Tel: 86-21-50589580

Vollrath de Mexico S. de R.L. de C.V.
 Periferico Sur No. 7980 Edificio 4-E
 Col. Santa Maria Tequepexpan
 45600 Tlaquepaque, Jalisco | Mexico
 Tel: (52) 333-133-6767
 Tel: (52) 333-133-6769
 Fax: (52) 333-133-6768

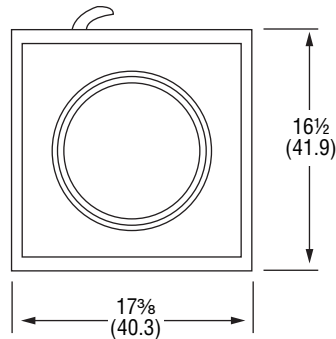
ULTRA SERIES DROP-IN INDUCTION RANGES

| | | | |
|---------------------|----------------------------------|---------|---|
| MODELS 69505 | Single Hob – NEMA 6-20P Plug | 6950505 | Single Hob – AU2-15P Plug |
| 6950502 | Single Hob – Schuko CEE7-7 Plug | 69508 | Dual Hob, Front to Back – NEMA 6-50P Plug |
| 6950503 | Single Hob – UK2-15 (BS546) Plug | | |

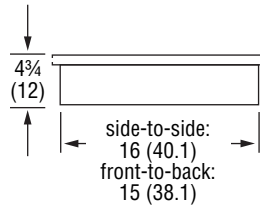
DIMENSIONS

Shown in inches (cm).

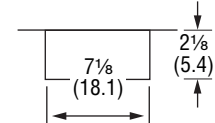
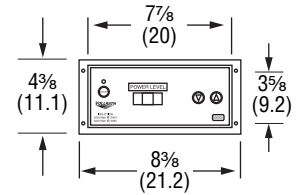
69505 / 6950502 / 6950503 / 6950505



Top View

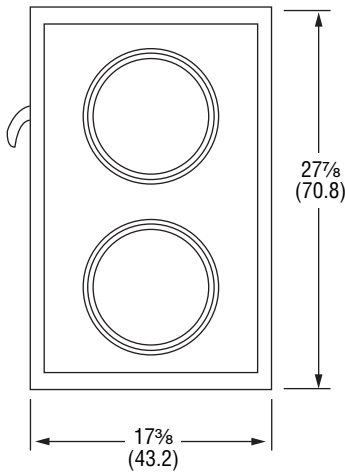


Side View

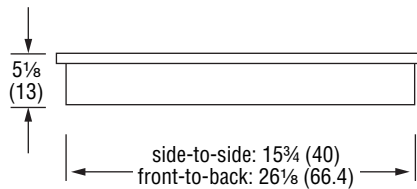


Control

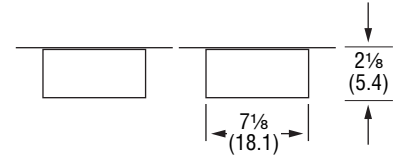
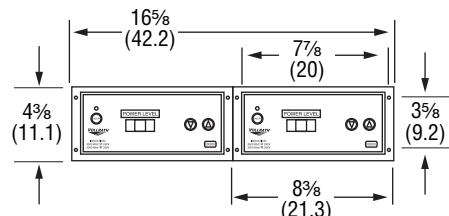
69508



Top View



Side View

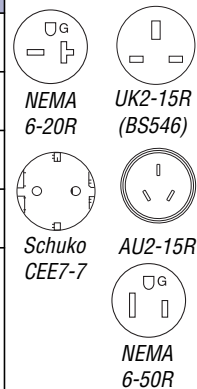


Control

SPECIFICATIONS

| Model | Max Pan Size | Drop-in Cutout | Control Cutout | Voltage (AC) | KW | Amps | Wall/Supply Side Plug | Shipping Container | Shipping Weight |
|---------|--------------|----------------------------------|---|--------------|--------------------|------|-----------------------|-------------------------------------|-----------------|
| 69505 | 14 (35.6) | 16 1/8 x 15 1/8 (40.9 x 38.4) | 7 1/4 x 3 7/8 (18.4 x 9.8) | 208-240 | 3.0-3.5 | 14.6 | NEMA 6-20P | 25 x 19 x 9 (63.5 x 48.3 x 22.9) | 27 (12.2) |
| 6950502 | 14 (35.6) | 16 1/8 x 15 1/8 (40.9 x 38.4) | 7 1/4 x 3 7/8 (18.4 x 9.8) | 208-240 | 3.0-3.5 | 14.6 | Schuko CEE7-7 | 25 x 19 x 9 (63.5 x 48.3 x 22.9) | 27 (12.2) |
| 5950503 | 14 (35.6) | 16 1/8 x 15 1/8 (40.9 x 38.4) | 7 1/4 x 3 7/8 (18.4 x 9.8) | 208-240 | 3.0-3.5 | 14.6 | UK2-15P (BS546) | 25 x 19 x 9 (63.5 x 48.3 x 22.9) | 27 (12.2) |
| 6950505 | 14 (35.6) | 16 1/8 x 15 1/8 (40.9 x 38.4) | 7 1/4 x 3 7/8 (18.4 x 9.8) | 208-240 | 3.0-3.5 | 14.6 | AU2-15P | 25 x 19 x 9 (63.5 x 48.3 x 22.9) | 27 (12.2) |
| 69508 | 12 (30.5) | 26 3/8 x 15 7/8 (67 x 40.3) | 7 1/4 x 3 7/8 (x 2) (18.4 x 9.8) (x 2) Two control boxes. Minimum spacing is 16.2 (42.2) | 208-240 | 3.0-3.5 Per Hob | 29.2 | NEMA 6-50P | 35 x 21 x 9 (53.3 x 88.9 x 22.9) | 43 (19.5) |

Receptacles



The Vollrath Company, L.L.C.
Headquarters
1236 North 18th Street
Sheboygan, Wisconsin
53081-3201 USA
Tel: 800-624-2051 or
920-457-4851
Main Fax: 800-752-5620 or
920-459-6573
www.vollrath.com

Vollrath Europe BV
Beneluxbaan 7
5121 AD RIJEN
The Netherlands
+31161870005

Vollrath of China
Vollrath Shanghai Trading Limited
23A, Time Square Plaza | 500
Zhang Yang Road
Pudong, Shanghai 200122
Tel: 86-21-50589580

Vollrath de Mexico S. de R.L. de C.V.
Periferico Sur No. 7980 Edificio 4-E
Col. Santa Maria Tequepexpan
45600 Tlaquepaque, Jalisco | Mexico
Tel: (52) 333-133-6767
Tel: (52) 333-133-6769
Fax: (52) 333-133-6768