



Project:

Item Number:

Quantity:

Induction Range: Mirage™ Commercial Drop-in

The Vollrath Company, L.L.C.

INDUCTION RANGE: MIRAGE™ COMMERCIAL DROP-IN

MODELS: 59501 1440W @ 120V



59501 - High-efficiency, commercial, single element drop-in induction range with push button controls.

DESCRIPTION

The high-efficiency, commercial drop-in induction range is designed for use in commercial kitchens and front-of-the-house cooking. The 1.4 kW, 120 volt range plugs easily into standard 15 amp or 20 amp, 120V outlets.

The induction ranges come complete with a 6-ft. (183 cm) power cord and plug. The case frame is made from 18-gauge, 304 stainless steel with vitro ceramic top. The ceramic top is easily cleaned with a mild cleaner.

The induction range is equipped with a variety of safety features including:

- Over-heat protection
- Small-article detection
- Pan auto-detection function
- Empty-pan shut-off

FEATURES

- High-performance with smooth power control from 1% to 100% of output power.
- Variable-speed knob for fast temperature adjustment.
- Sensitive low-end control for cooking sauces, milks and chocolates.
- Temperature regulation (°F and °C) control.
- Timer for length of cooking time control.
- Fast, high temperature cooking.
- High efficiency 90%+.
- Vertical control panel for runoff of liquid spills.
- Unit comes with cord and plug and does not require hard wiring.
- Full one-year parts and labor warranty.

IMPORTANT

- This appliance is intended for use with induction-ready cookware.
- All models require adequate, unrestricted intake and exhaust air ventilation for proper operation of the controls. The maximum intake temperature must not exceed 110°F (43°C). Temperatures are measured in ambient air while all appliances in the kitchen are in operation.
- Drop-in models require a minimum clearance of 3 inches (7.6 cm) at the rear and 1 inch (2.5 cm) at the bottom.

Agency Listings



This device complies with Part 18 FCC Rules.

Approvals
<p style="text-align: right;">Date:</p>



Setting the Standard™

www.vollrathco.com

The Vollrath Company, L.L.C.
1236 North 18th Street
Sheboygan, WI 53082-0611
U.S.A.
Main Tel: 800.624.2051
Service Tel: 800.628.0832
FAX: 800.752.5620

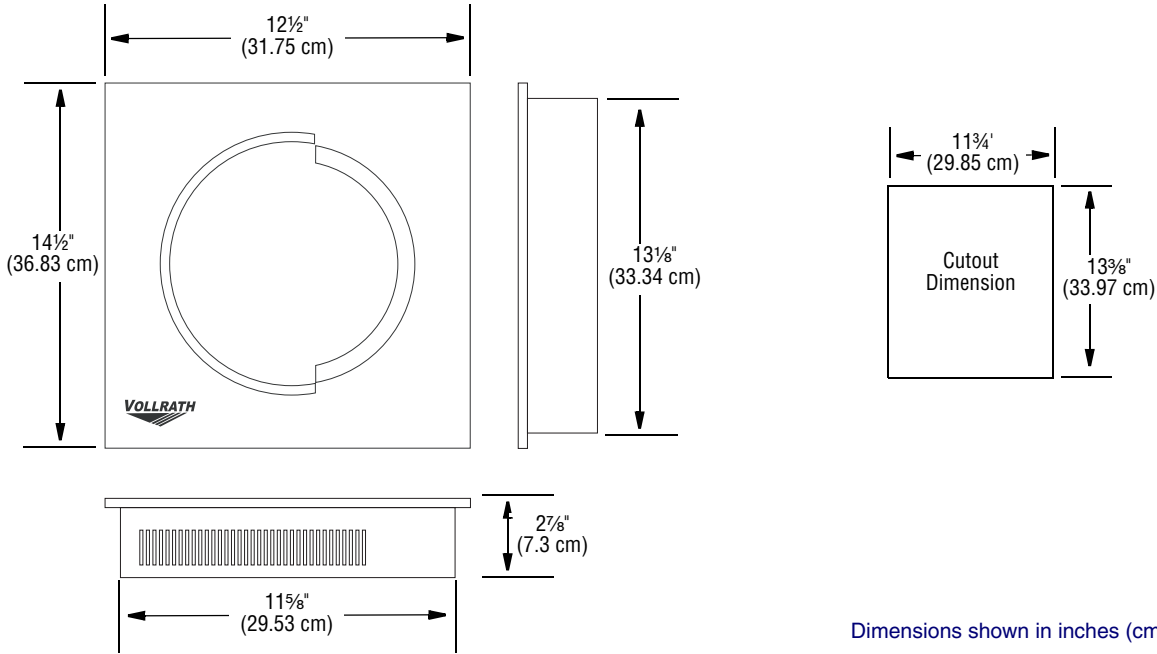
Vollrath of Canada, Co
Tel: 800.695.8560
FAX: 800.752.5620

INDUCTION RANGE: MIRAGE™ COMMERCIAL DROP-IN

MODELS: 59501 1440W @ 120V

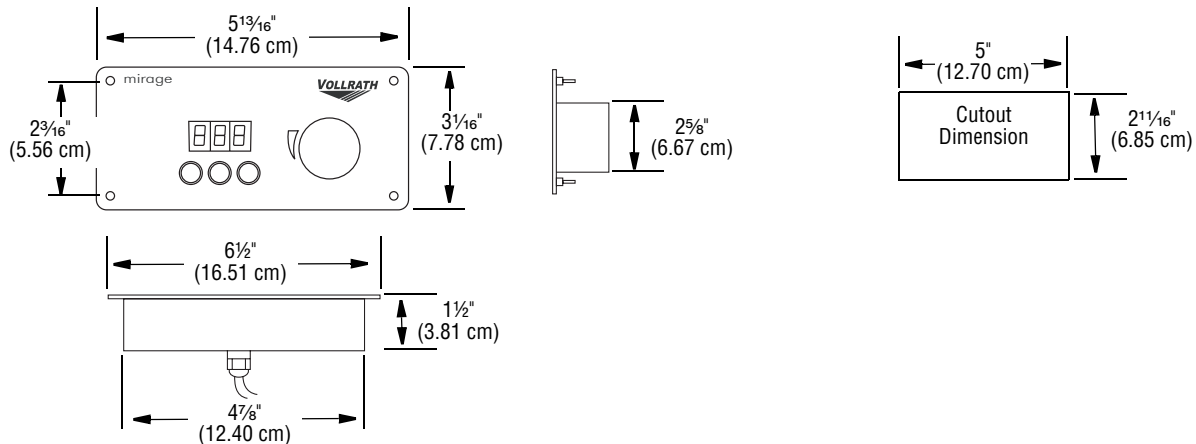
DIMENSIONS

- ❑ Overall dimension: 14½" wide x 12½" deep x 2⅞" high (36.83 cm x 31.75 cm x 7.3 cm)
- ❑ Shipping dimensions: 17⅝" wide x 17" deep x 6⅞" high (44.13 cm x 43.18 cm x 17.46 cm)
- ❑ Weight of unit: 12 lbs (5.44 kg)
- ❑ Shipping weight: 16.35 lbs (7.42 kg)



Dimensions shown in inches (cm).

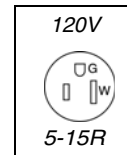
REMOTE CONTROL



Receptacle

ELECTRICAL SPECIFICATIONS - 1 PHASE, 60 HZ

Model	kW Rating	Volts	Nominal Amps	NEMA Plug	Remarks
59501	1.4 kW	120V AC	15	5-15P	



- ❑ Electrical Connection: Requires a 15A circuit. Unit supplied with a NEMA 5-15P plug.

