

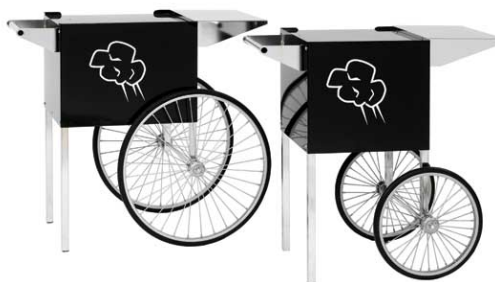


manufactured fun

PARAGON

# OWNER'S MANUAL

## FOR PROFESSIONAL MACHINE CARTS AND STANDS



Model Numbers		
SMALL CARTS	MEDIUM CARTS	LARGE CARTS
3080010 (Red)	3070010 (Red)	3090010 (Red)
3080020 (Black)	3070020 (Black)	
3080030 (Sno-Cones)	3050010 (Sno-Cones)	
3080510 (Stand)	3070510 (Stand)	
Machine Carts and Stands		

[www.ManufacturedFun.com](http://www.ManufacturedFun.com)

Paragon International, Inc • 731 W. 18<sup>th</sup> Street • P.O. Box 560 • Nevada, IA 50201 USA  
Phone (515) 382-8000 • Toll-free (800) 433-0333 • Fax (515) 382-8001 • Email: info@manufacturedfun.com

# INTRODUCTION

## PARAGON IS PROUD TO BE YOUR PARTNER FOR MANUFACTURED FUN.

Our goal is to provide you with the best solutions to attract customers, expand your business, and improve your profits. That's why this product has been specially-crafted to meet precise specifications for performance, efficiency, and output.

### **Your Paragon Cart features:**

- Chip resistant coating for long-lasting, attractive finish.
- Bright, colorful graphics for bringing in sales.
- Sturdy construction that withstands heavy commercial use.
- Convenient storage area for quick storage and retrieval of supplies.
- Large, spoked wheels for easy mobility.
- Collapsible construction that makes it simple to store or take on the road.

### **Your Paragon Stand features:**

- Chip resistant coating for long-lasting, attractive finish.
- Bright, colorful graphics for bringing in sales.
- Sturdy construction that withstands heavy commercial use.
- Convenient storage area for quick storage and retrieval of supplies.
- Comes fully assembled for ease of use.

Should you have any questions about your equipment, or would like to know more about our other innovative concession equipment and supplies, please contact us at 1-800-433-0333 or visit us on the web at: **Manufacturedfun.com**

## UNPACKING

Paragon carefully inspects each product during assembly and after completion to adhere to strict quality guidelines, and packs it securely to ensure safe delivery to each of our customers. Be sure to carefully remove all packing material and adhesive before any operation. Please examine your product to guarantee all equipment has arrived, complete and in good condition.

If you believe that any damage may have occurred during shipment or parts may be missing, please contact Paragon immediately for replacement.

*Thank you for your purchase and enjoy!*

# SAFETY PRECAUTIONS

*Paragon values your continued safety above all else. Please follow these guidelines when using your equipment to prevent injury and maximize product performance:*

---



All equipment is designed and sold for commercial use only. Equipment is not to be used by the general public or intended for home use. No direct contact to equipment by the general public should be allowed when used in food service locations. Only trained personnel should operate this equipment.

Carefully read any and all instructions before beginning operation of the equipment.

Any alterations made to equipment by anyone other than certified Paragon personnel will void warranty and may also create unsafe working conditions. NEVER make alterations to the equipment.

---

# ASSEMBLY INSTRUCTIONS

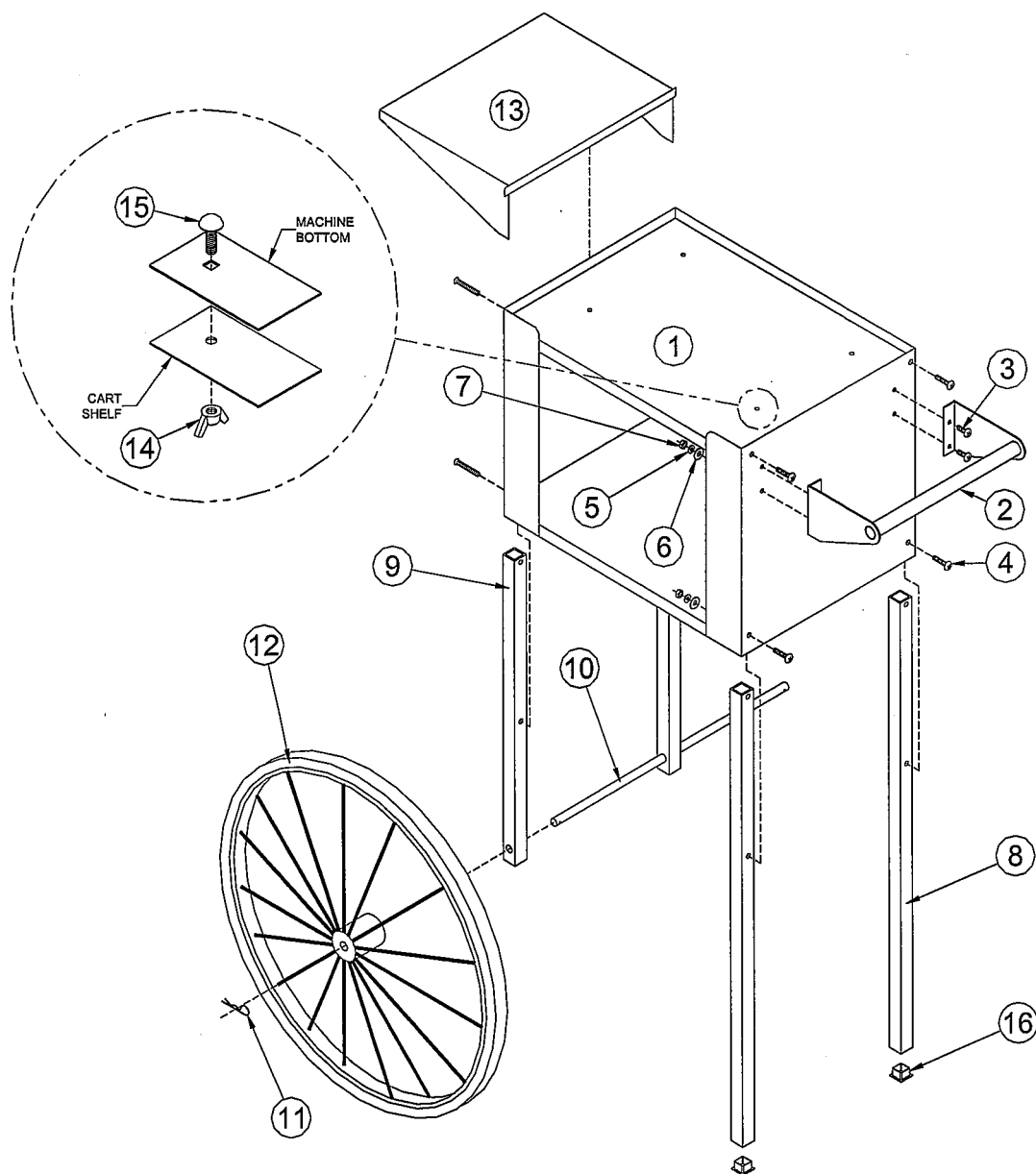
## CART

1. Attach Handle to the cart body using four 1/4" - 20 x 3/4" bolts, flat washers, lock washers and hex nuts.
2. Turn assembly over on its top.
3. Install Long Legs to the same side of the cart body that the handle is attached to using four 1/4" - 20 x 2" Screws, flat washers, lock washers, and hex nuts.
4. Press End Caps into the protruding end of legs.
5. Attach Short legs to the opposite side of the cart body that the handle is attached to using four 1/4" - 20 x 2" Screws, flat washers, lock washers, and hex nuts.
6. Slide axle rod through the holes in the Short Legs.
7. Slide a wheel over the axle rod on the outside of Short Legs. Put a Clip Pin through the holes on each end to secure the wheels to the axle.
8. Turn assembly the correct side up and position the Cart Tray over the side of the cart body opposite of the handle.

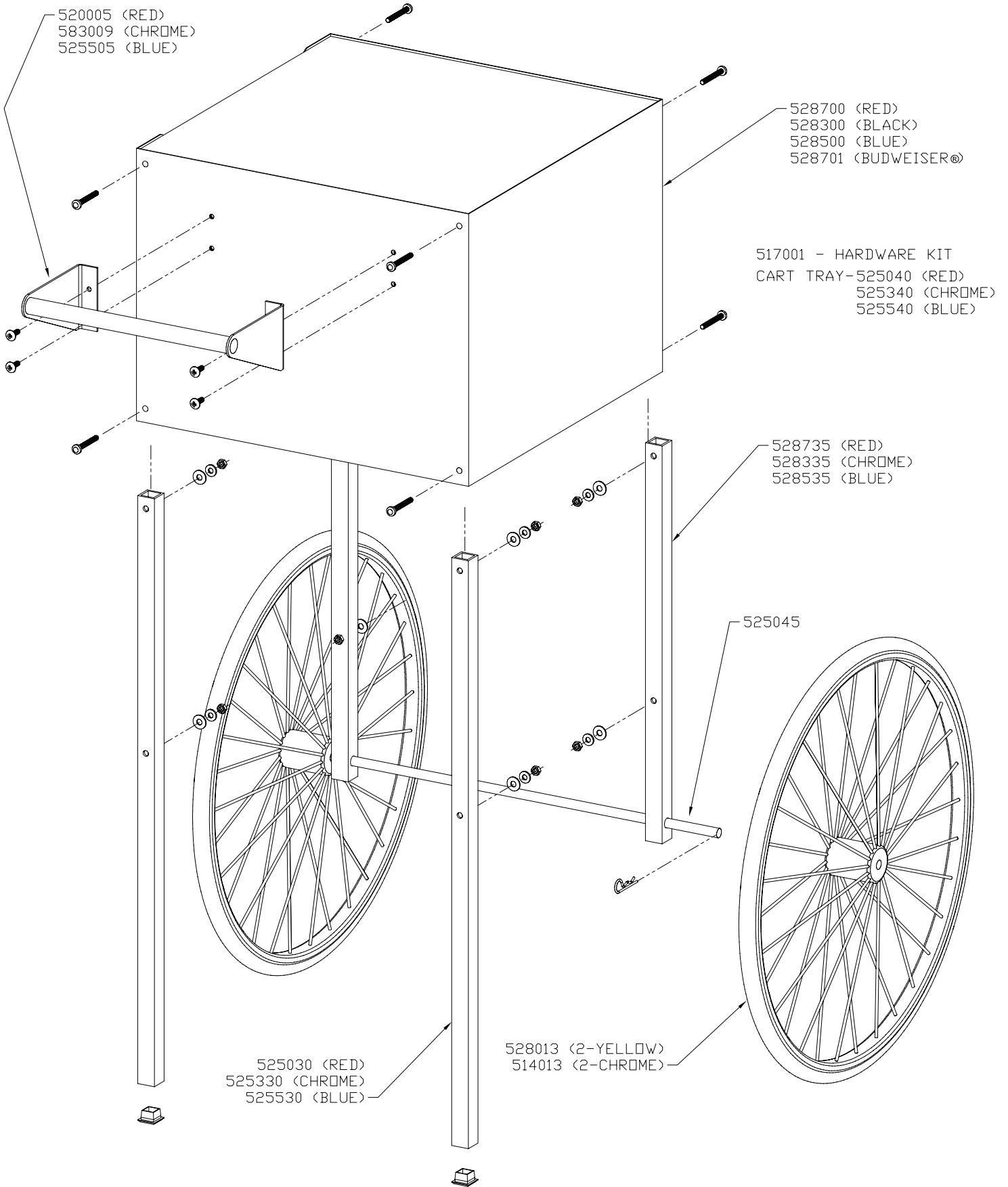
# Instructions for Fastening Machine to Cart

Hardware included with Cart.

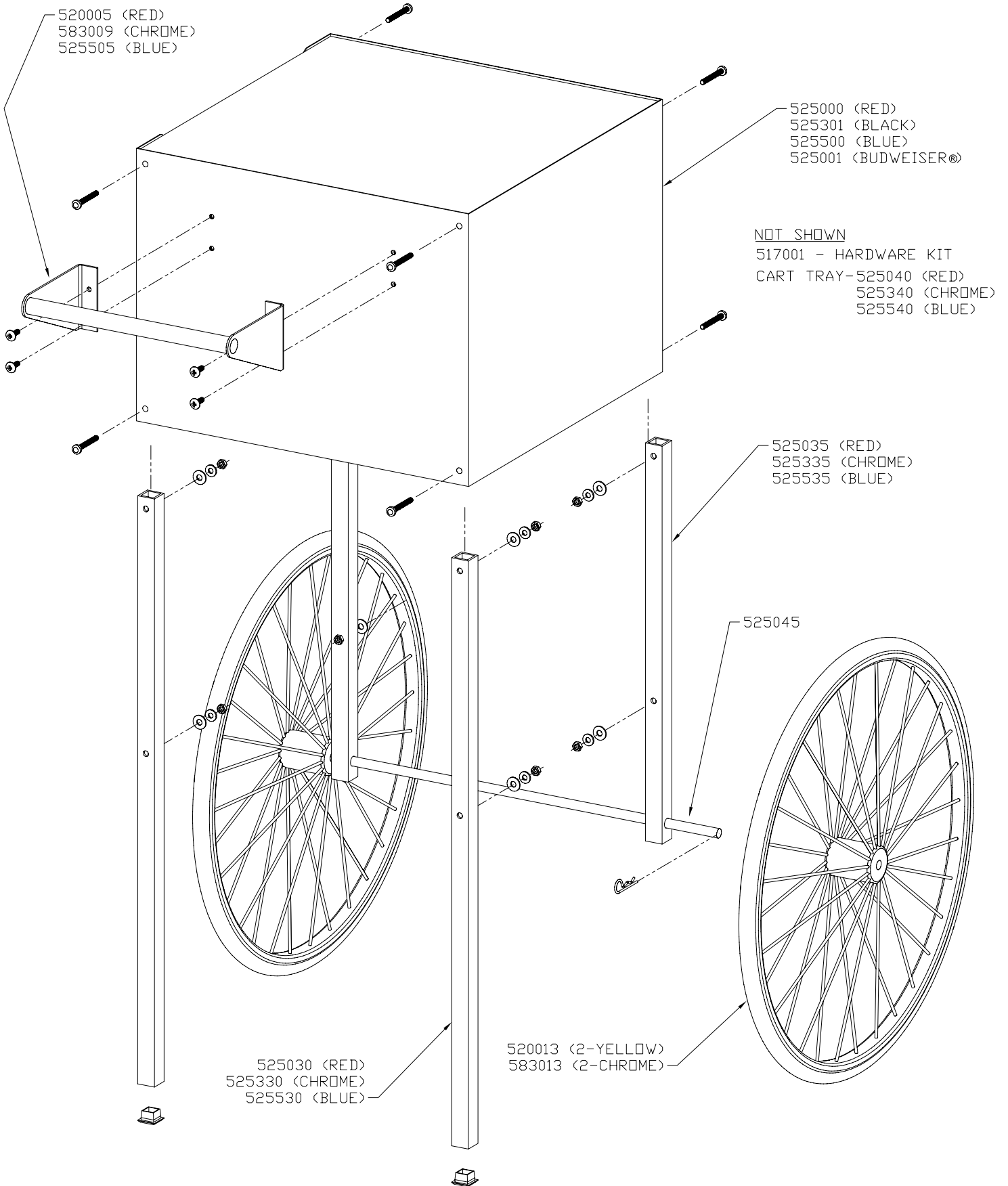
1. Unplug machine from power.
2. Remove machine clean-out tray to provide access to the four square holes in the bottom of the machine.
3. Set the machine on the cart tray and align the four square holes in the machine with the four round holes in the cart shelf.
4. Slip the four carriage bolts through the aligned holes from the top (machine side).
5. Screw the four wing nuts on the four carriage bolts extending through the bottom of the cart shelf. Hand-tighten the wing nuts securely. There will be gap between machine bottom and cart shelf by design.
6. Replace machine clean-out tray.



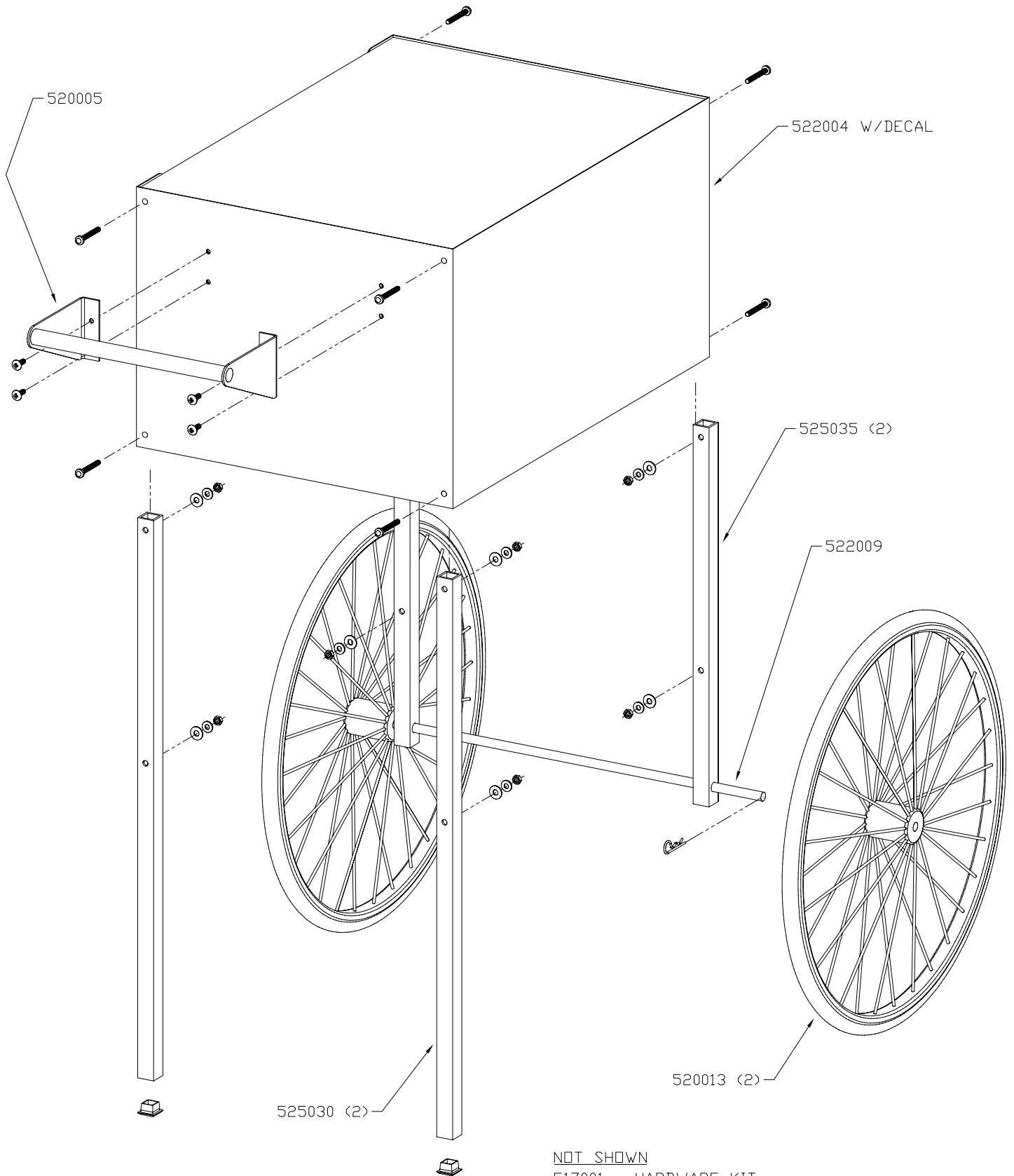
# SMALL CART ASSEMBLY



# MEDIUM CART ASSEMBLY



# LARGE POPCORN CART ASSEMBLY



# THRIFTY STAND PARTS ASSEMBLY

