

Dishtables Clean Series

PLEASE NOTE: Plumbing connections must be made by a qualified service company that will comply with all applicable Health, Plumbing & Safety codes.



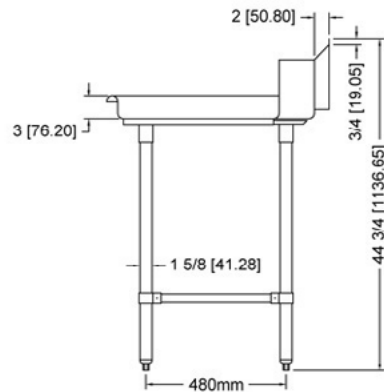
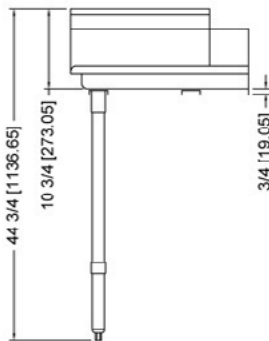
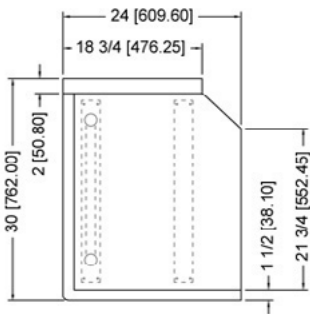
Features

- 16-gauge, 304 stainless steel clean dish table
- Stainless steel legs and sockets
- "H"-shape stainless steel leg bracing
- Plastic bullet feet
- NSF Listed

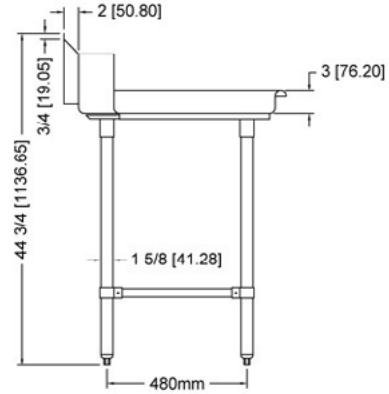
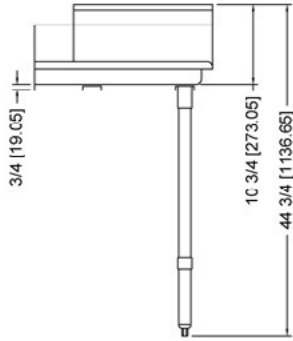
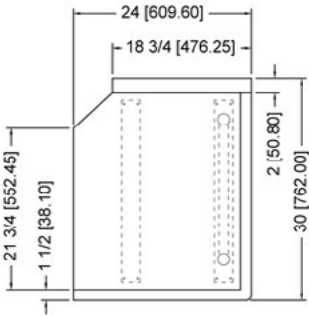


ITEM #		DIMENSIONS	LEG HEIGHT	BACK HEIGHT	BACK-SPLASH
LEFT	RIGHT				
CDT24L	CDT24R	24"w x 30"d	34"	44 ³ / ₄ "	7 ³ / ₄ "
CDT36L	CDT36R	36"w x 30"d	34"	44 ³ / ₄ "	7 ³ / ₄ "
CDT48L	CDT48R	48"w x 30"d	34"	44 ³ / ₄ "	7 ³ / ₄ "

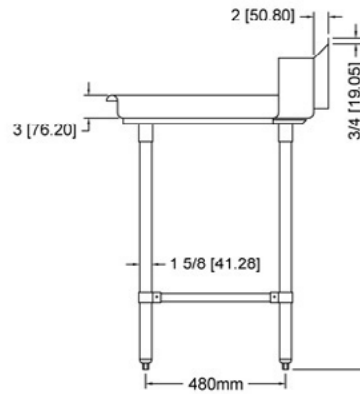
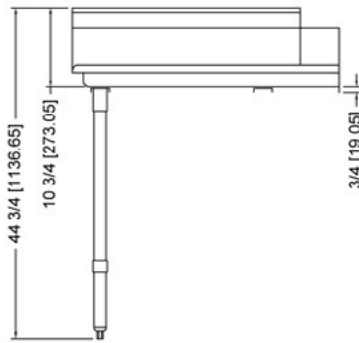
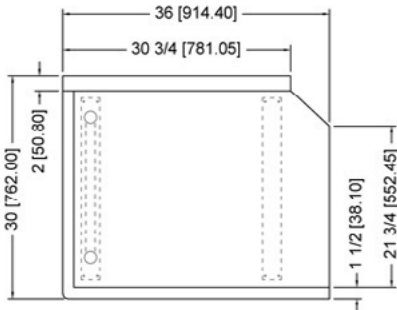
CDT24L



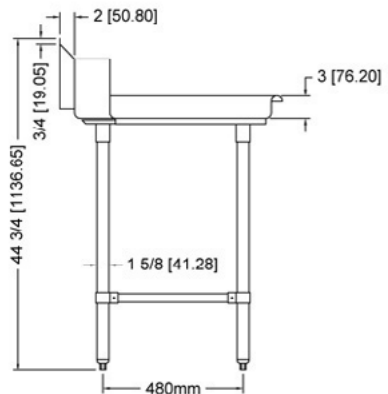
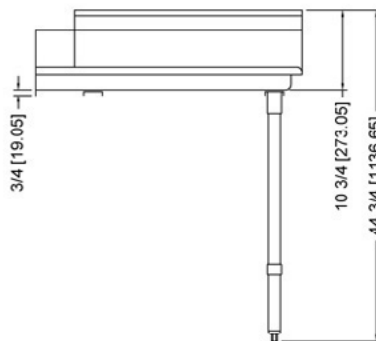
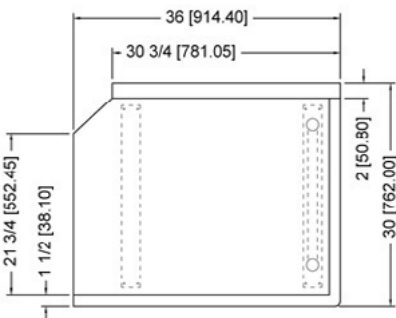
CDT24R



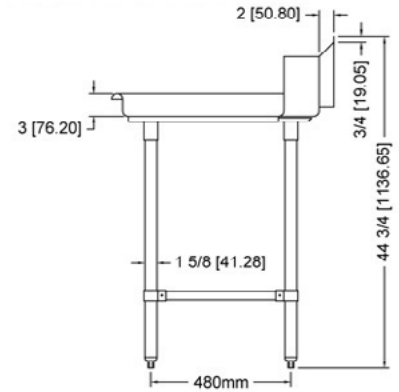
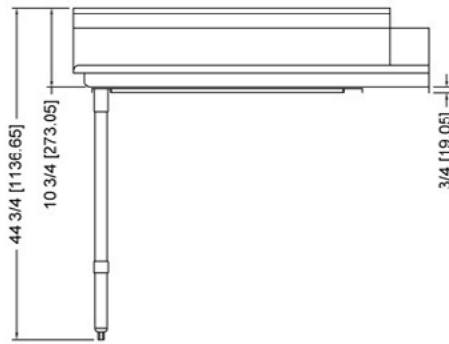
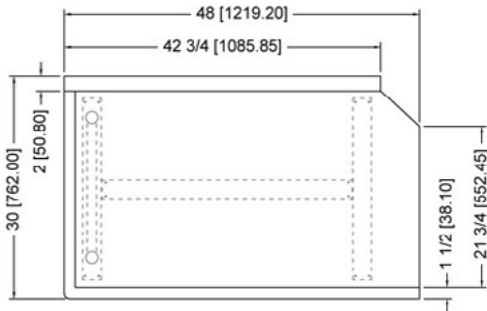
CDT36L



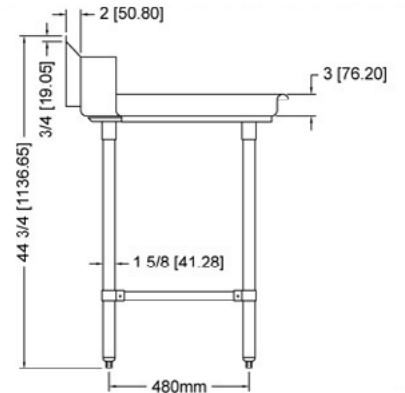
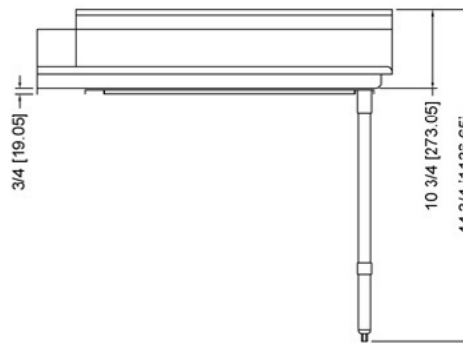
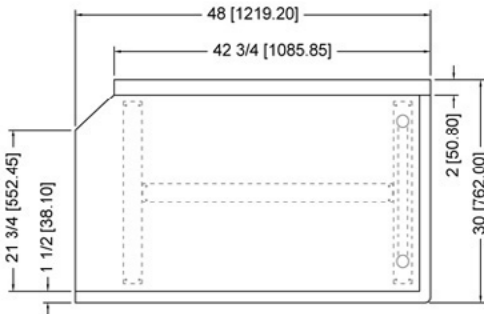
CDT36R



CDT48L



CDT48R



Dishtables

Soiled Series

PLEASE NOTE: Plumbing connections must be made by a qualified service company that will comply with all applicable Health, Plumbing & Safety codes.

SDT36L
36" Left Soiled Dish Table



SDT36R
36" Right Soiled Dish Table

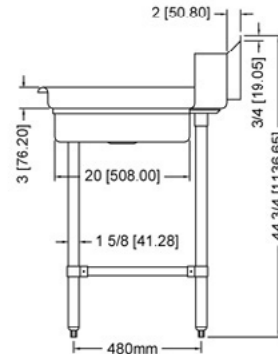
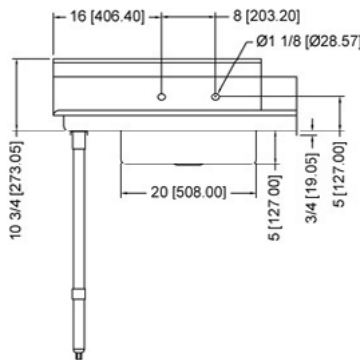
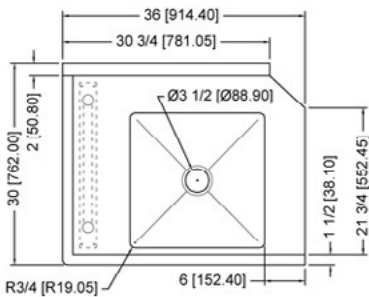
Features

- 16-gauge, 304 stainless steel clean dish table
- Pre-rinse bowl (20" x 20" x 5")
- Stainless steel legs and sockets
- "H"-shape stainless steel leg bracing
- Plastic bullet feet
- 3.5" drain basket included
- NSF Listed

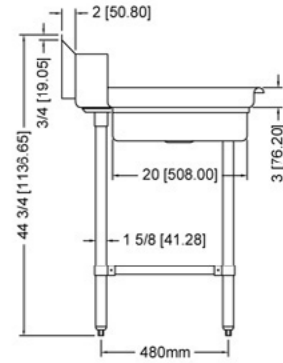
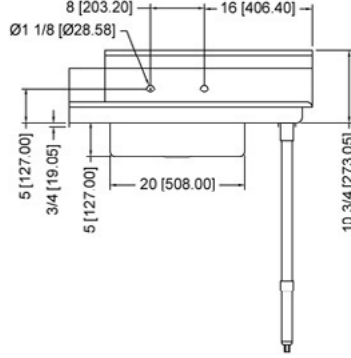
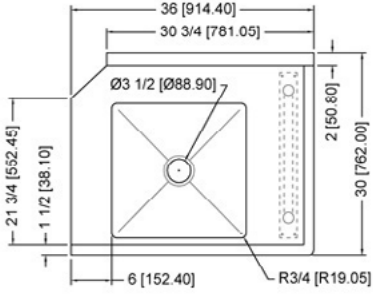


ITEM #		DIMENSIONS	LEG HEIGHT	BACK HEIGHT	BACK-SPLASH
LEFT	RIGHT				
SDT36L	SDT36R	36"w x 30"d	34"	44 ³ / ₄ "	7 ³ / ₄ "
SDT48L	SDT48R	48"w x 30"d	34"	44 ³ / ₄ "	7 ³ / ₄ "

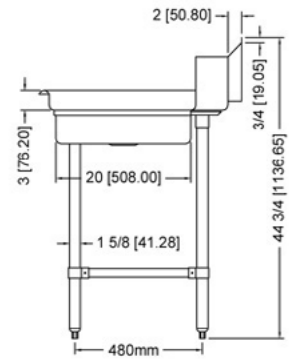
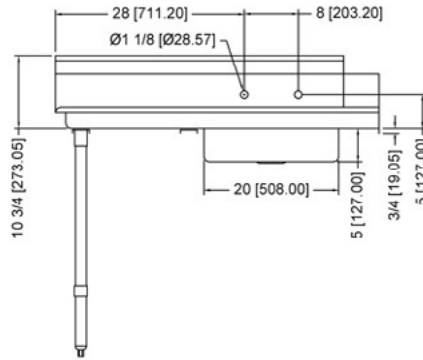
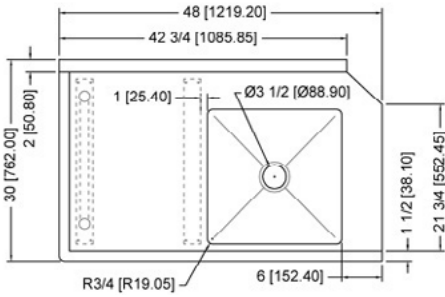
SDT36L



SDT36R



SDT48L



SDT48R

