

Project Name: _____ AIA#: _____

Model #: _____ Location: _____

SIS#: _____ Item #: _____ Quantity: _____



Chefmate by Globe™ Manual Control Countertop Gas Griddle

GLOBE FOOD EQUIPMENT COMPANY

Chefmate by Globe™ Gas Griddle

24" / 36" Models



MODELS

C24GG (pictured) • C36GG

Standard Features

- Available in 24" and 36" widths
- Stainless steel construction with extended cool-to-touch front edge
- Manual controls
- 3/4" polished griddle plate for uniform heat distribution
- Durable steel U-style burner provides heat control every 12" and flame every 6"
- 3.25" high back and side splash
- Spatula wide 3.25" trough
- Stainless steel legs with adjustable feet
- Stainless steel catch tray
- Cooktop fully removable for easy cleaning
- High performance 30,000 BTUs per burner
- Adjustable pilots with front access
- Unit ships natural gas with liquid propane gas (LP) conversion kit and regulator

Keep it clean! Removable cooktop simplifies cleaning.

Warranty

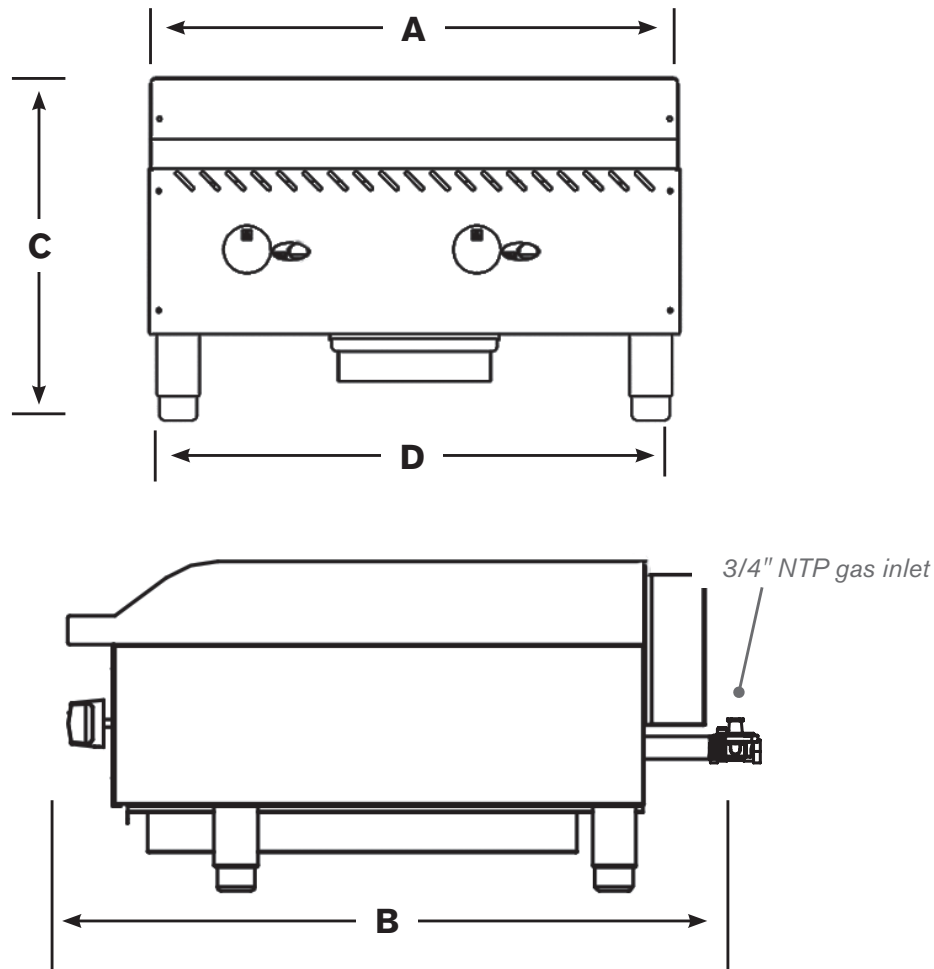
- *One-year parts and labor*



Globe Food Equipment Company

Approved by: _____ Date: _____

2153 Dryden Rd., Dayton, OH 45439 | 937-299-5493 | 800-347-5423 | Fax: 937-299-4147 | www.globefoodequip.com



For indoor use only.

DIMENSIONS | SPECIFICATIONS | SHIPPING INFORMATION

Reinforced carton for shipping. Weight of carton included below and may vary from shipment to shipment. **Shipped on a pallet. Freight class 85.**

Model	Dimensions				No. Burners BTUs ea	BTUs (Total)	Cooking Area	Net Wt	Ship Wt
	A - Width	B - Depth	C - Height	D - Legs Width					
C24GG	24" (61 cm)	33" (84 cm)	15.5" (40 cm)	23.5" (60 cm)	<u>2</u> 30,000	60,000	24" x 20.5" (61 cm x 52 cm)	139 lbs (63 kg)	185 lbs (83 kg)
C36GG	36" (91 cm)	33" (84 cm)	15.5" (40 cm)	35.5" (90 cm)	<u>3</u> 30,000	90,000	36" x 20.5" (91 cm x 52 cm)	225 lbs (102 kg)	285 lbs (129 kg)

GAS REQUIREMENTS AND INFORMATION

- Natural gas or LP main supply required
- Conversion of unit from natural gas to LP must be completed by an authorized Globe servicer
- 3/4" standard pipe size I.D. connection

Gas griddle is manual control and constructed of stainless steel with cool-to-touch front edge. Unit has high performance 30,000 BTU burners with adjustable pilot lights with front access. Griddle has 3/4" griddle plate, 3.25" high back and side splash, 3.25" wide trough, stainless steel removable catch tray and stainless legs with adjustable feet. Cooktop is fully removable, pilots are adjustable with front access. Gas connection is 3/4" N.P.T. males and a convertible pressure regulator is provided for either LP or natural gas. Griddles are listed to NSF Standard 4 by CSA.



Globe Food Equipment Company