



Project Name: \_\_\_\_\_ AIA#: \_\_\_\_\_ Model #: \_\_\_\_\_

Location: \_\_\_\_\_ SIS#: \_\_\_\_\_ Item #: \_\_\_\_\_ Quantity: \_\_\_\_\_



C24GG

# Chefmate™ Gas Griddles Manual Controls

## Models

- C24GG - 24" Gas Griddle
- C36GG - 36" Gas Griddle



GLOBE FOOD EQUIPMENT COMPANY

Chefmate™ Gas Griddles, Manual Controls C24GG / C36GG

### Quality Construction

- Available in 24" and 36" widths
- Stainless steel construction and extended cool-to-touch front edge
- 3/4" polished griddle plate provides uniform heat distribution
- Durable steel U-style burner provides heat control every 12" and flame every 6"

### Standard Features

- High performance 30,000 BTUs per burner
- Manual controls
- Adjustable pilots with front access
- 3.25" H back and side splash
- Spatula wide 3.25" trough
- Stainless steel legs with adjustable feet
- Cooktop lifts off completely for easy cleaning and servicing
- Unit ships Natural Gas with LP conversion kit included

### Warranty

- One-year parts and labor

### Standard Accessories

- Stainless Steel Catch Tray
- LP Conversion Kit
- Regulator



GLOBE FOOD EQUIPMENT COMPANY  
2153 Dryden Rd., Dayton, OH 45439  
Phone: 937-299-5493 Fax: 937-299-4147  
800-347-5423

[www.globeslicers.com](http://www.globeslicers.com)

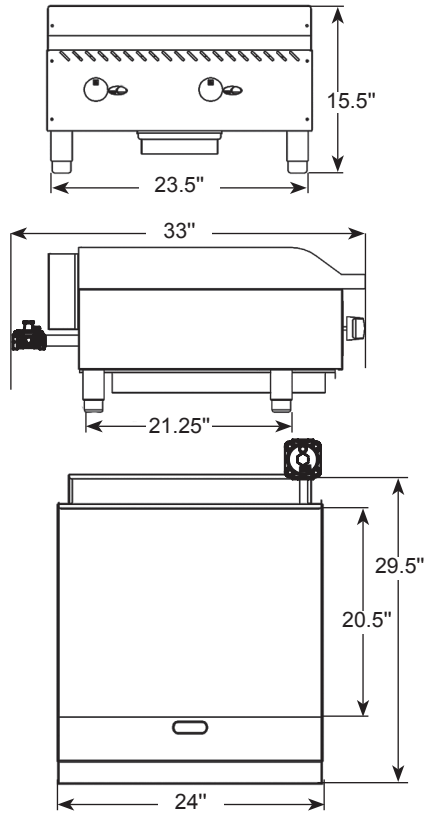
Approved By: \_\_\_\_\_

Date: \_\_\_\_\_

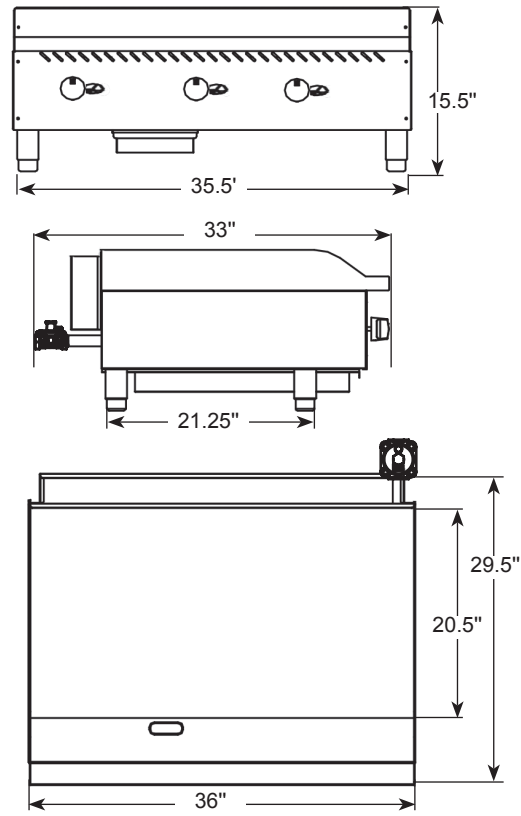


# Chefmate™ Gas Griddles, Manual Controls C24GG / C36GG

## C24GG



## C36GG



For Indoor Use Only

### SPECIFICATIONS

#### GAS REQUIREMENTS:

- Natural Gas or Liquid Propane Gas main supply required
- All units ship Natural Gas ready. Liquid Propane conversion kit is included for kitchens equipped with this gas type. Conversion of your unit from Natural Gas to LP must be completed by an authorized Globe servicer
- 3/4" standard pipe size I.D. connection
- 30,000 BTUs per burner
- One pilot per burner

Model	Griddle Cooking Area	Controls	Number of Burners	BTUs (per burner)	Total BTUs
C24GG	20.5" D X 24" W	Manual	2	30,000	60,000
C36GG	20.5" D X 36" W	Manual	3	30,000	90,000

#### STANDARD FEATURES:

- All stainless steel construction
- 3/4" griddle plate
- LP conversion kit
- Regulator
- Catch tray

### DIMENSIONS & SHIPPING INFORMATION

Freight Class 85

Carton reinforced for shipping. The weight and dimensions of reinforced carton are included below and may vary from shipment to shipment. **These items are shipped on a pallet.**

Model	Foot Print	Overall Dimensions	Net Weight	Shipping Dimensions	Shipping Weight
C24GG	21.25" L x 23.5" W (54 cm x 60 cm)	33" L x 24" W x 15.5" H (84 cm x 61 cm x 33.7 cm)	139 lbs (63 kg)	35" L x 29" W x 19" H (90 cm x 73 cm x 49 cm)	185 lbs (84 kg)
C36GG	21.25" L x 35.5" W (54 cm x 90 cm)	33" L x 36" W x 15.5" H (84 cm x 91 cm x 39.7 cm)	225 lbs (102 kg)	35" L x 41" W x 19" H (90 cm x 105 cm x 49 cm)	285 lbs (129 kg)



## GLOBE FOOD EQUIPMENT COMPANY

[www.globeslicers.com](http://www.globeslicers.com)

2153 Dryden Rd.  
Dayton, OH 45439  
Phone: 937-299-5493  
Phone: 800-347-5423  
Fax: 937-299-4147