

# STRIP DOOR

## M-SERIES

### INSTALLATION INSTRUCTIONS



Make Food *SAFE-T*® Products  
Your Number One Priority!

MODEL ENCLOSED:

M-106-PR-4080

M-106-PR-4784

M-108-PR-4080

M-108-PR-4784

\_\_\_\_\_

M-106-S-4080

M-106-S-4784

M-108-S-4080

M-108-S-4784

Date of Purchase: \_\_\_\_\_

**Curtron** Products  
a division of TMI, LLC

← TRIM

← TRIM

TRIM →

*Thank you for choosing a Curtron quality product.*

**Carefully examine the carton(s) for damage before opening. If the carton is damaged, immediately notify the shipping company.**

There should be 2 Mounting Brackets, 1 Mounting Pipe, Mounting Screws and Looped PVC Strips enclosed. The number of strips depends on the length of the Mounting Pipe.

For doors wider than 47", hardware and strips are shipped in separate packages.

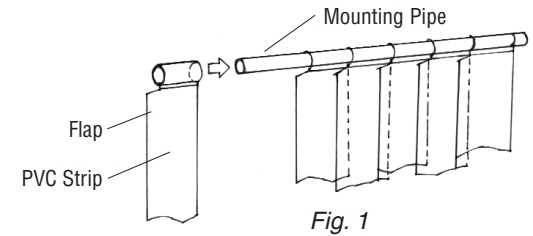
**FOR DOORS WIDER THAN 60", see "CENTER MOUNTING BRACKET"- page 4.**

## WALL MOUNTING

### STEP 1

Slide the strips onto the Mounting Pipe so that all the edge flaps are facing in the same direction.

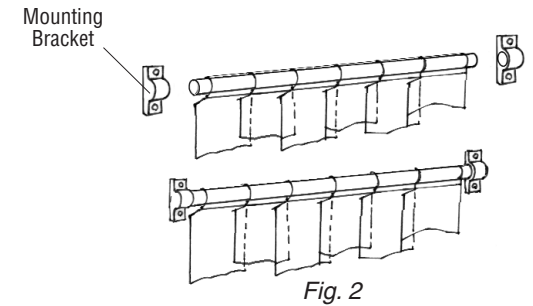
See Fig. 1



### STEP 2

Insert Mounting Pipe into Mounting Bracket.

See Fig. 2

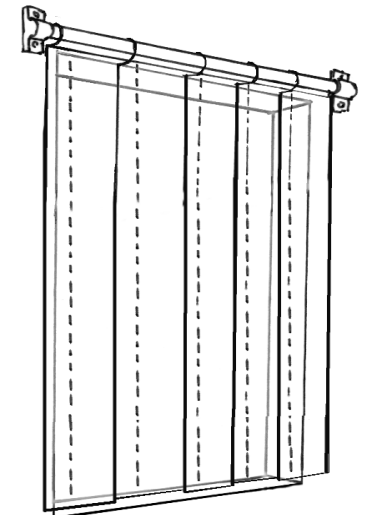


### STEP 3

On the inside of the cooler or freezer, center and level the assembled unit above the doorway opening so the bottom of the strips are about 1/8" from the floor.

See Fig. 3

**CAUTION:** If the bottom of the strips are touching the floor, the strips will buckle, allowing cold air to escape.



TRIM →

## STEP 4

Mark the holes through each of the brackets. Remove the assembled unit and drill the holes. A  $\frac{5}{32}$ " drill bit is recommended. See Fig. 4

**NOTE:** Most coolers and freezers have a wooden substructure with a thin metal outer surface, so wood screws can be used. If the cooler or freezer is made of another material, such as concrete, a plastic or lead anchor should be used to secure the strip door mounting brackets.

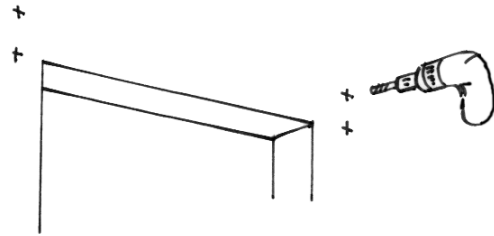


Fig. 4

## STEP 5

Replace the assembled unit over the drilled holes and attach the Mounting Brackets using  $\frac{1}{4}$ " screws. See Fig. 5

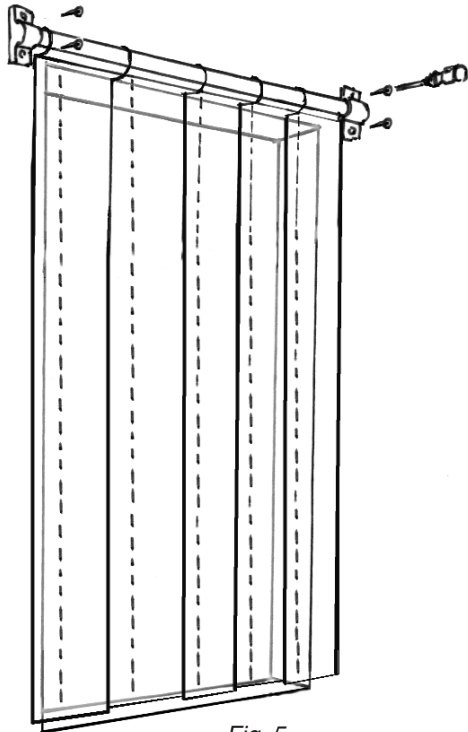


Fig. 5

## HEADER MOUNTING

### STEP 1

Slide the strips onto the Mounting Pipe.

**NOTE:** The first strip should have a cut out. The remaining strips should be placed on the pipe so that all the flaps are facing in the same direction. See Fig. 7

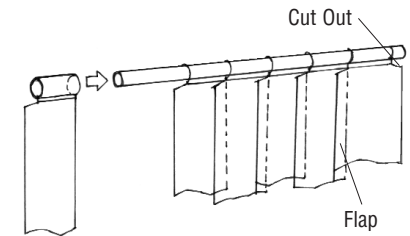


Fig. 7

### STEP 2

Insert Mounting Pipe into Mounting Bracket. See Fig. 8

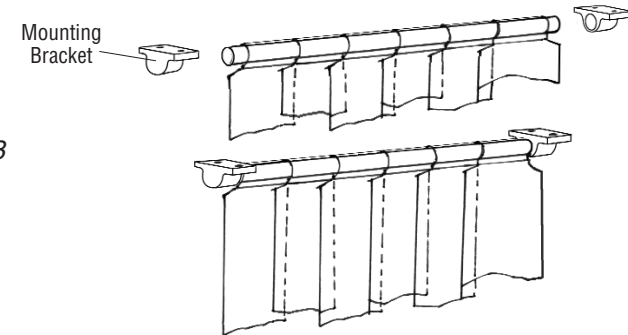


Fig. 8

### STEP 3

Place the assembled unit under the doorway header and mark the bracket holes. See Fig. 9

**CAUTION:** If the strips are touching the floor, they will have to be cut to the proper length using a straight edge and utility knife.

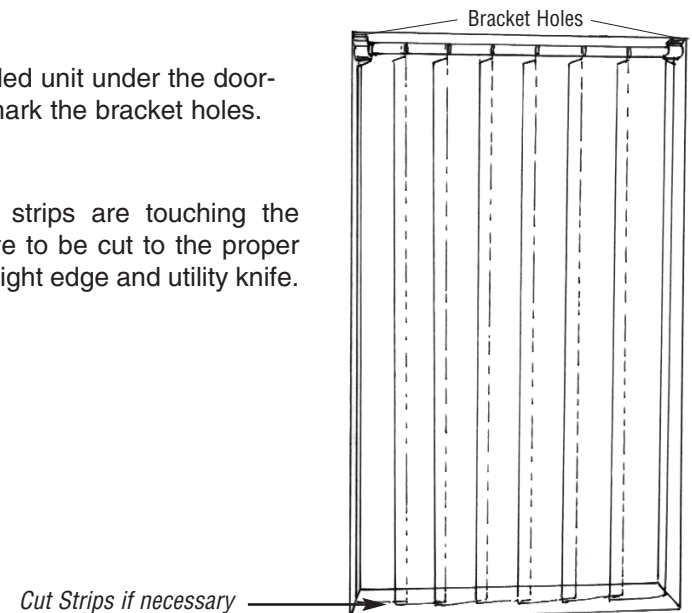


Fig. 9

## STEP 4

Remove the assembled unit and drill the holes. A  $\frac{5}{32}$ " drill bit is recommended. See Fig. 10

**NOTE:** Most coolers and freezers have a wooden substructure with a thin metal outer surface, so wood screws can be used. If the cooler or freezer is made of another material, such as concrete, a plastic or lead anchor should be used to secure the strip door mounting brackets.

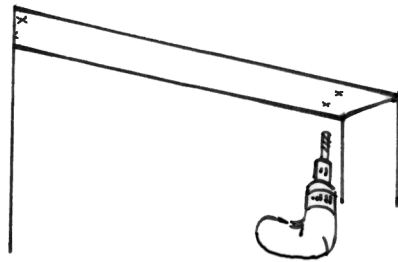


Fig. 10

## STEP 5

Replace the assembled unit over the drilled holes and attach the Mounting Brackets using  $\frac{1}{4}$ " screws. See Fig. 11

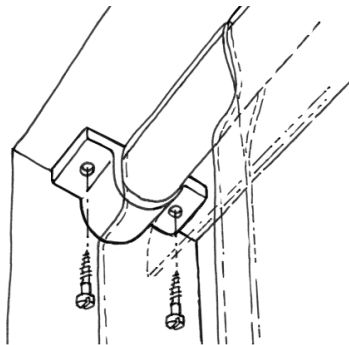
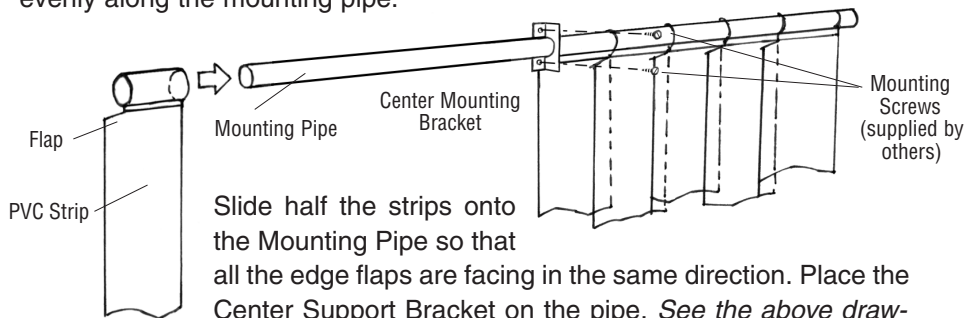


Fig. 11

## CENTER SUPPORT BRACKET For both Wall Mounting and Header Mounting

For strip doors that are 60" or wider, the enclosed Center Support Bracket must be used. For extremely wide doors, multiple brackets should be placed evenly along the mounting pipe.



Slide half the strips onto the Mounting Pipe so that all the edge flaps are facing in the same direction. Place the Center Support Bracket on the pipe. See the above drawing. Slide the remaining strips onto the pipe and continue Steps 2 through 5.

After completing Step 5, using the bracket holes as a template, drill  $\frac{5}{32}$ " holes in the wall or header before attaching the bracket with  $\frac{1}{4}$ " screws.

## OTHER CURTRON PRODUCTS

RACK COVERS



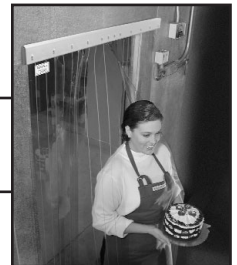
AIR DOORS



CASER COOLER CURTAINS



CURTRONIZER™ STRIP DOORS



POLAR-PRO™ SWINGING DOORS



COOLKEEPER™ OVEN CURTAINS



Make Food *SAFE*® Products  
Your Number One Priority!

**Curtron** Products  
a division of TMI, LLC

800•833•5005

Curtron Products • 5350 Campbells Run Road • Pittsburgh, PA 15205-9738 • 412.787.9750  
• Fax: 412.787.3665 • Web Site: www.curtronproducts.com • E-Mail: info@curtronproducts.com