



ADA Compliant

This Space for Architect/Engineer Approval

Job Name _____ Date _____

Model Specified _____ Quantity _____

Customer/Wholesaler _____

Contractor _____

Architect/Engineer _____

Swivel Gooseneck w/
2.2 GPM [8.3 LPM]
Vandal Resistant Aerator & Key.
Rigid Conversion Requires
017421-45 Lock Washer
(Included)

30" [762mm] Long
Flexible Stainless
Steel Hose Between
Shank & Control
Module

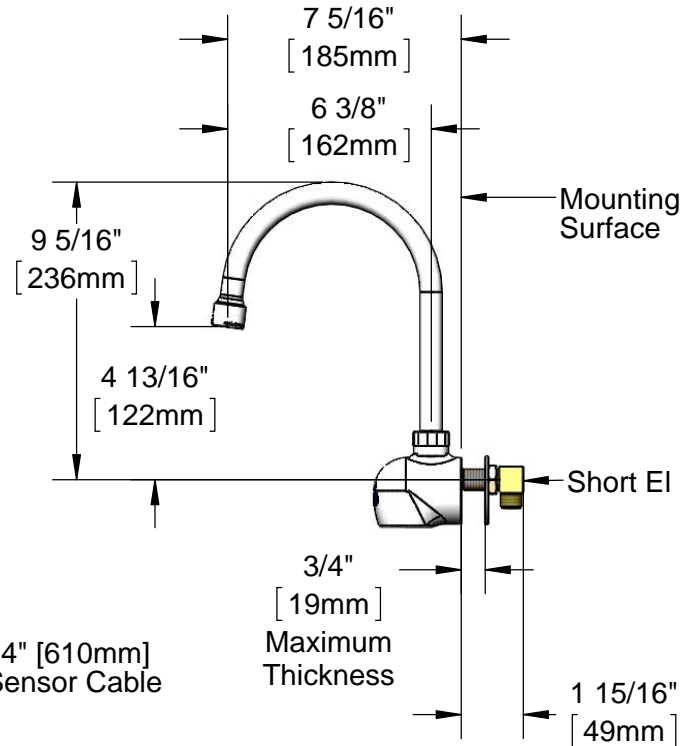
Removable
Strainer

Mechanical Mixing
Valve w/ Integral
Check Valves

(2) 18" [457mm]
Flexible Stainless
Steel Supply Hoses.
1/2" NPSM Female
x 3/8" Compression
Female

3 5/8" x 4 3/16" x 2" Deep
[92mm x 106mm x 51mm]
Control Module Box (White)
w/ Water Resistant Connections.
AC or DC Operated w/
(4) AA Batteries

100-240 VAC Adapter
w/ 144" [3658mm] Long
Double Power Cord



Rough-In Requirement:
Ø 1 1/8" [29mm] Mounting Hole

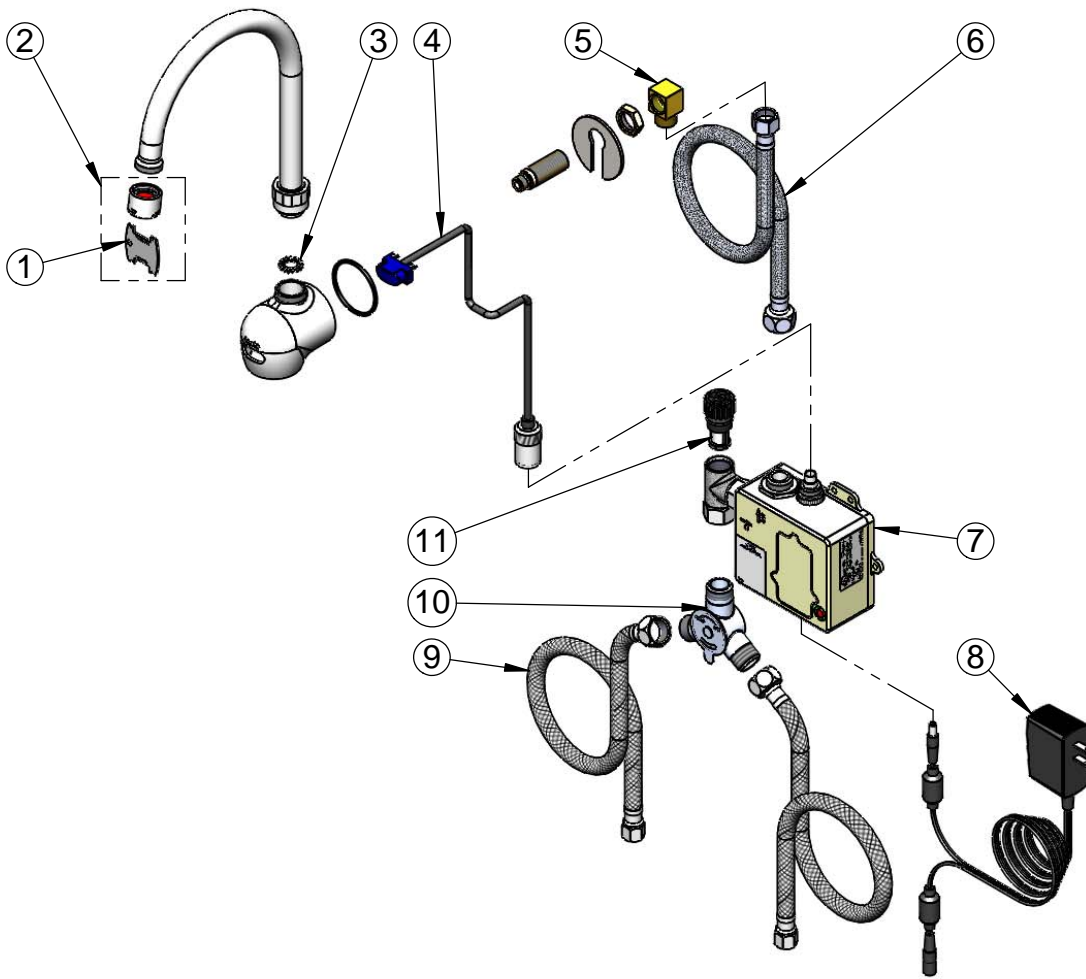
| | |
|---|--|
| <p>Model Number</p> <p>5EF-1D-WG</p> | <p>Product Specifications:</p> <p>Electronic Faucet: Wall Mount Swivel Gooseneck, 2.2 GPM VR Aerator, AC-DC Control Module, Temperature Control Mixing Valve, Integral Check Valves & (2) 18" Flexible Supply Hoses</p> |
|---|--|

| |
|---|
| <p>Product Compliance:</p> <p>ASME A112.18.1 / CSA B125.1 NSF 61 - Section 9 NSF 372 (Low Lead Content) ANSI A117.1 (ADA) UL 1951</p> |
|---|

equip
Foodservice
Accessories

2 Saddleback Cove, P.O. Box 1088
Travelers Rest, South Carolina 29690
Phone: 800.891.4808 Fax: 800.868.0084
equip.tsbrass.com

| ITEM NO. | SALES NO. | DESCRIPTION |
|----------|------------|---|
| 1 | 015425-45 | Vandal Resistant Key |
| 2 | B-0199-06 | 2.2 GPM VR Aerator w/ Key |
| 3 | 017421-45 | Serrated Lock Washer |
| 4 | 5EF-0003 | 24" Sensor Cable |
| 5 | 015345-20 | 3/8-18 NPSM Low Profile Elbow |
| 6 | 016325-45 | Inlet Hose, Faucet, 1/2" NPSM-F x 3/8" NPSM-F |
| 7 | 5EF-0001 | equip Sensor Faucet - Control Module |
| 8 | 5EF-0002 | equip AC Transformer, 100-240 VAC |
| 9 | 5EF-0005 | Supply Hose, 3/8" Compression x 1/2" NPSM |
| 10 | 5EF-0006 | Mechanical Mixing Valve |
| 11 | 5EF-FILTER | Replacement Filter |



Model Number

5EF-1D-WG

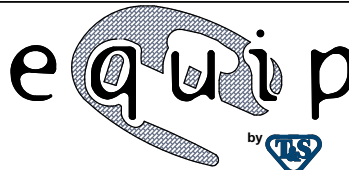
Product Specifications:

Electronic Faucet: Wall Mount Swivel Gooseneck, 2.2 GPM VR Aerator, AC-DC Control Module, Temperature Control Mixing Valve, Integral Check Valves & (2) 18" Flexible Supply Hoses

Product Compliance:

ASME A112.18.1 / CSA B125.1
NSF 61 - Section 9
NSF 372 (Low Lead Content)
ANSI A117.1 (ADA)
UL 1951

equip
Foodservice
Accessories



2 Saddleback Cove, P.O. Box 1088
Travelers Rest, South Carolina 29690
Phone: 800.891.4808 Fax: 800.868.0084
equip.tsbrass.com