



Outperform every day.™

Project:

Item Number:

Quantity:

Conveyor Toasters - 300-800 Slices Per Hour

The Vollrath Company, L.L.C.

CONVEYOR TOASTERS - 300-800 SLICES PER HOUR (MODELS JT2, JT2H)



DESCRIPTION

Vollrath's 300-800 slices per hour conveyor toasters feature easy-to-use conveyor control and variable top and bottom heat control to perfectly toast and warm a variety of bread products – bread, buns, rolls, bagels, waffles, pita bread, Texas toast and English muffins. These toasters provide mid-size restaurants with the flexibility to a variety of bread products for breakfast and lunch menu items.

WARRANTY

- Warrantied parts: The warranty period is 2 year parts, 1 year labor.
- Heater tubes: The warranty period is 1 year parts and labor. Heater tube glass damage is not covered by this warranty.
- For full warranty details, please refer to www.Vollrath.com.

Agency Listings



Due to continued product improvement, please consult www.vollrath.com for current product specifications.

ITEMS

Item No.	Model No.	Description
CT4-120450		450 Slices Per Hour, 120V
CT4-208800	JT2	800 Slices Per Hour, 208V
CT4-220800*		800 Slices Per Hour, 220V
CT4-240800		800 Slices Per Hour, 240V
CT4H-120300	JT2H	300 Slices Per Hour, 120V, High Clearance
CT4H-208550		550 Slices Per Hour, 208V, High Clearance
CT4H-220550*		550 Slices Per Hour, 220V, High Clearance
CT4H-240550		550 Slices Per Hour, 240V, High Clearance

*Made to order item. Made to order items cannot be canceled or returned.

FEATURES

- Stainless steel and aluminized steel construction.
- Variable speed control.
- Variable top and bottom heat control.
- 10½" (26.7 cm) 2-slice wide conveyor is larger than industry standard for better toasting results.
- Product entry opening on high clearance models can be adjusted from 1½"- 3" (3.8 - 7.6 cm).
- Forced convection toasting promotes uniform results and energy efficiency.
- Energy efficient, fast reacting, quartz heaters.
- High-temperature, Teflon™ bearings ensure smooth operation and do not require lubrication.
- High-quality, Teflon™-impregnated wires help prevent against dry rotting and cracking.
- High-temperature thermoplastic terminal blocks with stainless steel clamping provides superior connections; designed for ease of serviceability.
- Industry's only maintenance-free drive system; stainless steel drive chain does not require lubrication.
- Fan safety switch senses temperature of unit and keeps fan running until machine is completely cool.
- Standby mode saves up to 75 percent energy during slow periods when unit is not in use and allows machine to quickly return to full power.
- Adjustable legs.
- 5 ft. (1.5 m) cord with plug.
- Made in the USA.

CLEARANCE AND ENVIRONMENT REQUIREMENTS

- Do not place on surfaces or near walls, partitions or kitchen furniture unless they are made of non-combustible material or clad with non-combustible heat-insulating material. Toasters must not be used near or below curtains and other combustible materials.
- Maximum ambient temperature: 104° F (40 ° C).

Approvals	Date



Outperform every day.™

www.vollrath.com

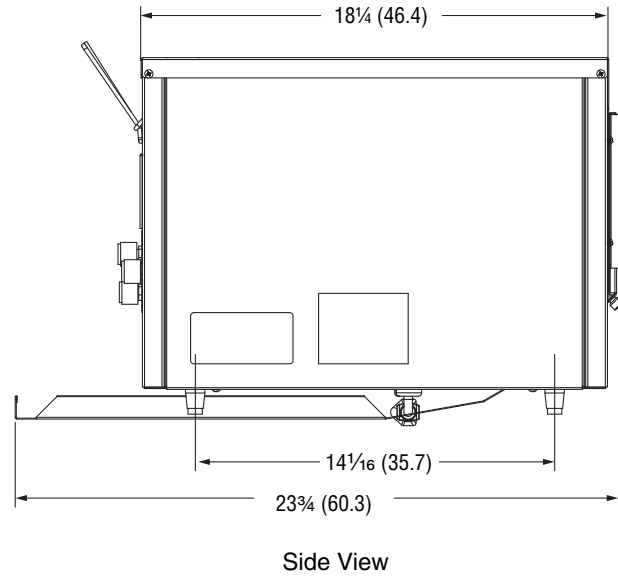
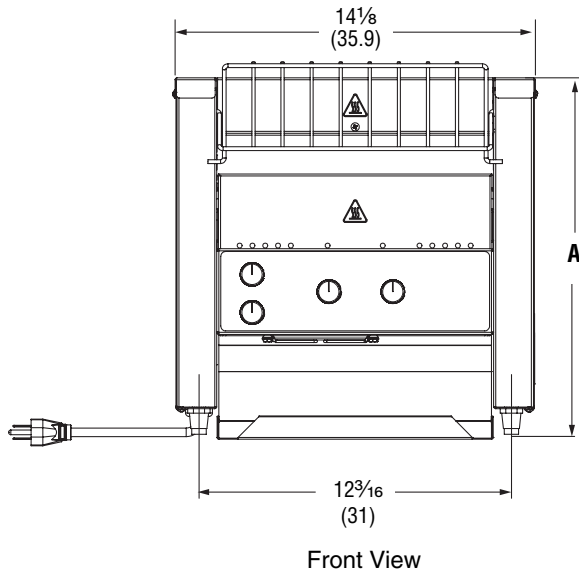
The Vollrath Company, L.L.C.

1236 North 18th Street
Sheboygan, WI 53081-3201 U.S.A.
Main Tel: 800.624.2051 or 920.457.4851
Main Fax: 800.752.5620 or 920.459.6573
Customer Service: 800.628.0830
Canada Customer Service: 800.695.8560

Technical Services
techservicereps@vollrathco.com
Toaster Products: 800.309.2250
All Other Products: 800.628.0832

CONVEYOR TOASTERS - 300-800 SLICES PER HOUR (MODELS JT2, JT2H)

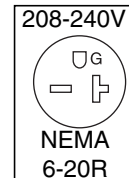
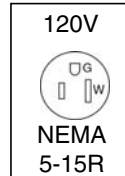
DIMENSIONS (Shown in inches (cm))



SPECIFICATIONS

Item No.	Model No.	Product Clearance IN (CM)	Slices or Bun Halves per Hour	Voltage	Watts	Amps	Hz	(A) Height IN (CM)	Weight LB (KG)	Plug	
CT4-120450	JT2	1 1/2 (3.8)	450	120	1700	14.2	60	14 (35.6)	45 (20.4)	NEMA 5-15P	
CT4-208800			800	208	2800	13.5				NEMA 6-20P	
CT4-220800*				220		12.7				NEMA 5-15P	
CT4-240800			240	11.7	NEMA 6-20P						
CT4H-120300	JT2H	Adjustable 1 1/2 - 3 (3.8 - 7.6)	300	120	1700	14.2		15 1/8 (38.4)		45 (20.4)	NEMA 5-15P
CT4H-208550			550	208	2800	13.5					NEMA 6-20P
CT4H-220550*				220		12.7					
CT4H-240550			240	11.7							

Receptacles



*Made to order item. Made to order items cannot be canceled or returned.



Outperform every day.™

www.vollrath.com

The Vollrath Company, L.L.C.

1236 North 18th Street
Sheboygan, WI 53081-3201 U.S.A.
Main Tel: 800.624.2051 or 920.457.4851
Main Fax: 800.752.5620 or 920.459.6573
Customer Service: 800.628.0830
Canada Customer Service: 800.695.8560

Technical Services
techservicereps@vollrathco.com
Toaster Products: 800.309.2250
All Other Products: 800.628.0832