

QCS2 SERIES CONVEYOR TOASTERS

QCS2-500, QCS2-600H & QCS2-800

QCS Features/Benefits:

- ★ Holman's superior quartz infrared heaters provide faster, more consistent heating than traditional heating elements.
- ★ Holman's forced convection system keeps the toaster cool to the touch and extends the life of critical components. The forced convection increases productivity by re-circulating pre-heated air into toasting chamber.
- ★ *NEW* longer lasting, heavy-duty metal knobs and 1" non-skid heavy-duty rubber feet.
- ★ Compact - requires only 14-1/2" of counter space and the forced convection system allows the unit to be placed against a wall. Other toasters have louvers requiring additional counter space.
- ★ Productivity -
 - QCS2-500 produces up to 500 slices per hour operating on 120V.
 - QCS2-800 produces up to 800 slices per hour.
 - QCS2-600H with a 3" high opening produces up to 600 slices per hour.
- ★ Easy to use control panel takes the guesswork out of temperature and speed control settings.
- ★ Variable speed and top/bottom heat control for perfect color and texture of bread, bagels, English muffins and more!
- ★ Energy efficient operation with power saver switch that reduces electricity consumption by 75%. And our quartz heaters return to full power in seconds vs. minutes for metal-sheathed elements.
- ★ Extended conveyor belt for easy loading and large warming area for higher production.
- ★ Safe load up area with full width front burn guard and cool to the touch exterior.
- ★ "Smart" crumb tray keeps the bread crumbs from falling under the toaster.
- ★ Heated holding area to keep toast at the perfect temperature.
- ★ Hi-limit switch prevents toaster from overheating protecting critical component parts.
- ★ 24 hours 7 days a week technical support by Star technicians.

Applications:

Breakfast lunch or dinner, the QCS2 series are versatile enough to fulfill your menu requirements. Holman's QCS2 series toasters can generate up to 800 slices per hour in only 14-1/2" of counter space. Choose from our high volume QCS2-800 in 208 or 240 volts and if your power requirements are 120 volts the QCS2-500 will accommodate your specific needs. If you need a larger opening for Kaiser rolls, oversized bagels or sub rolls the QCS2-600H has a 3" product opening to provide consistent quality you expect from a Holman toaster.

Quality Construction:

Holman designs every toaster to stand up to the most rigorous foodservice demands. Stainless steel construction for long lasting durability. Heavy-duty motor, drive chain and conveyor speed control for superior reliability. Conveyor belt tension system for smooth and quiet operation. High performance Quartz Infrared Heaters for superior toasting performance and reliability. Units are easy to disassemble with one-piece cover for cleaning and service. Toasters are furnished with 1" adjustable legs and 4' cord.

Warranty:

Holman's conveyor toasters are covered by a one-year parts and labor limited warranty.



QCS2-600H



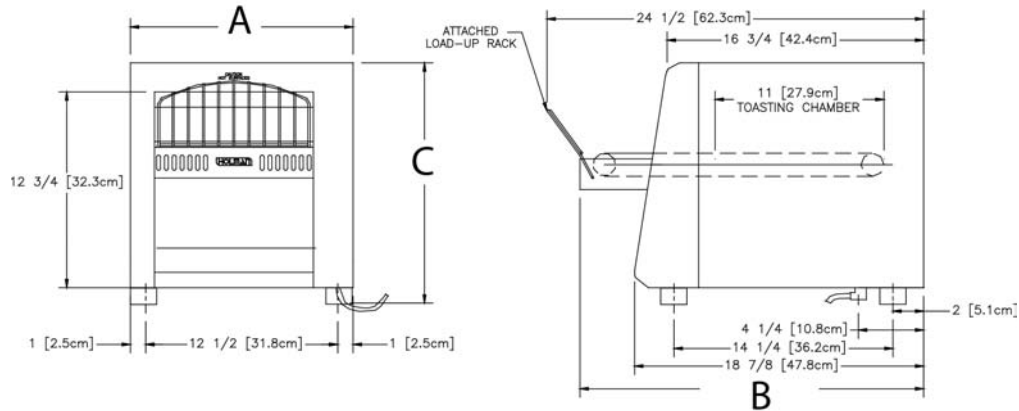
QCS2-800





QCS2 SERIES CONVEYOR TOASTERS

QCS2-500, QCS2-600H & QCS2-800



Performance Data

Model No.	Production Capacities	Product Openings
QCS2-500	up to 500 slices per hour	1-1/2"
QCS2-600H	up to 600 slices per hour	3"
QCS2-800	up to 800 slices per hour	1-1/2"

Specifications

Model No.	Dimensions			Shipping Weight lbs.	Shipping Carton		
	A Width Inches	B Depth Inches	C Height Inches		Width Inches	Depth Inches	Height Inches
QCS2-500	14-1/2 (36.8)	22-3/8 (56.8)	15-5/8 (39.7)	64 (29)	20 (50.8)	18-7/8 (47.9)	25-3/8 (64.4)
QCS2-600H	14-1/2 (36.8)	22-3/8 (56.8)	15-5/8 (39.7)	64 (29)	20 (50.8)	18-7/8 (47.9)	25-3/8 (64.4)
QCS2-800	14-1/2 (36.8)	22-3/8 (56.8)	15-5/8 (39.7)	64 (29)	20 (50.8)	18-7/8 (47.9)	25-3/8 (64.4)

Electrical Data

Model No.	Volts	HZ 1 Phase	Amps	Watts	Heating Elements ¹		NEMA
					Above Belt	Below Belt	
QCS2-500	120	60	14.2	1700	2	2	5-15P (5-20P Canada)
QCS2-600H	208	60	13.5	2800	2	2	6-20P
	240	60	11.7	2800	2	2	6-20P
	220	50	12.7	2800	2	2	CEE7-7
QCS2-800	208	60	13.5	2800	2	2	6-20P
	240	60	11.7	2800	2	2	6-20P
	220	50	12.7	2800	2	2	CEE7-7

¹Can be supplied with metal sheathed heaters (no additional charge), however production will be reduced.

Typical Specifications

Conveyor toasters are constructed of corrosion resistant stainless steel. Supplied with heavy-duty motor, drive chain and fast heat up quartz infrared heaters. A conveyor belt tension system is supplied for a smooth, quiet operation. Units are supplied with variable speed control, top and bottom heat control, power saver and high limit switch. Extended conveyor belt, crumb tray, heated holding area and full width burn guard are standard. Unit has a one-piece cover for easy access with 1" adjustable legs and a 4' cord. Units are listed with UL, CUL and are UL certified to NSF4. Patent number D459,140. Printed in the U.S.A.

Due to periodic changes in designs, methods, procedures, policies and regulations, the specifications contained in this sheet are subject to change without notice. While Star Manufacturing exercises good faith efforts to provide information that is accurate, we are not responsible for errors or omissions in information provided or conclusions reached as a result of using the specifications. By using the information provided, the user assumes all risks in connection with such use.

Star Manufacturing - 10 Sunnen Drive - P.O. Box 430129 - St. Louis, MO 63143-3800
Phone: (314) 678-6303 - FAX: (314) 781-3636 - www.star-mfg.com