



Job \_\_\_\_\_ Item No. \_\_\_\_\_

## SW-Series Waffle Baker

Single Round Belgian Waffle SWBB

Single Round Standard Waffle SWBS

Dual Round Standard Waffle SWBD



SWBD

### DESCRIPTION

Star waffle bakers are designed to be a reliable and consistent solution for high volume waffle production. The electronic controls and timer, combined with the cast-in heating element, provide superior consistency and uniformity. The durable overall design is made to offer years of maintenance-free service.

### SPECIFICATIONS

The Star waffle bakers will be constructed in the U.S.A. with a corrosion-resistant stainless steel body. Units will be supplied with electronic controls and timer. Units will utilize aluminum grids which have elements cast into them. The handle for the top will be a heat-resistant, nickel-plated coil design. The units will be available in 120 V or 208 V/240 V versions. The unit will be supplied with a 4-foot (1.22 m) cord with the appropriately rated NEMA plug, except 230V models which come with no cord or plug.

### WARRANTY

These units come with a one [1] year warranty for parts and labor.

### FEATURES

- Programmable electronic controls and timer for simple, consistent cooking
- Seven [7] inch (178 mm) diameter energy efficient cast aluminum grids
- Elements are cast into the upper and lower grids to provide superior temperature uniformity.
- Real time temperature display readout
- Audible end of bake cycle alarm
- Handle is nickel-plated steel with an open-coil design and heat-resistant coating.
- Stainless steel top, front, sides and drip trays
- Durable stainless steel hinge with heavy-duty bearing.

### OPTIONS & ACCESSORIES

- Single round belgian or standard waffle style or dual standard waffle style

### CERTIFICATIONS



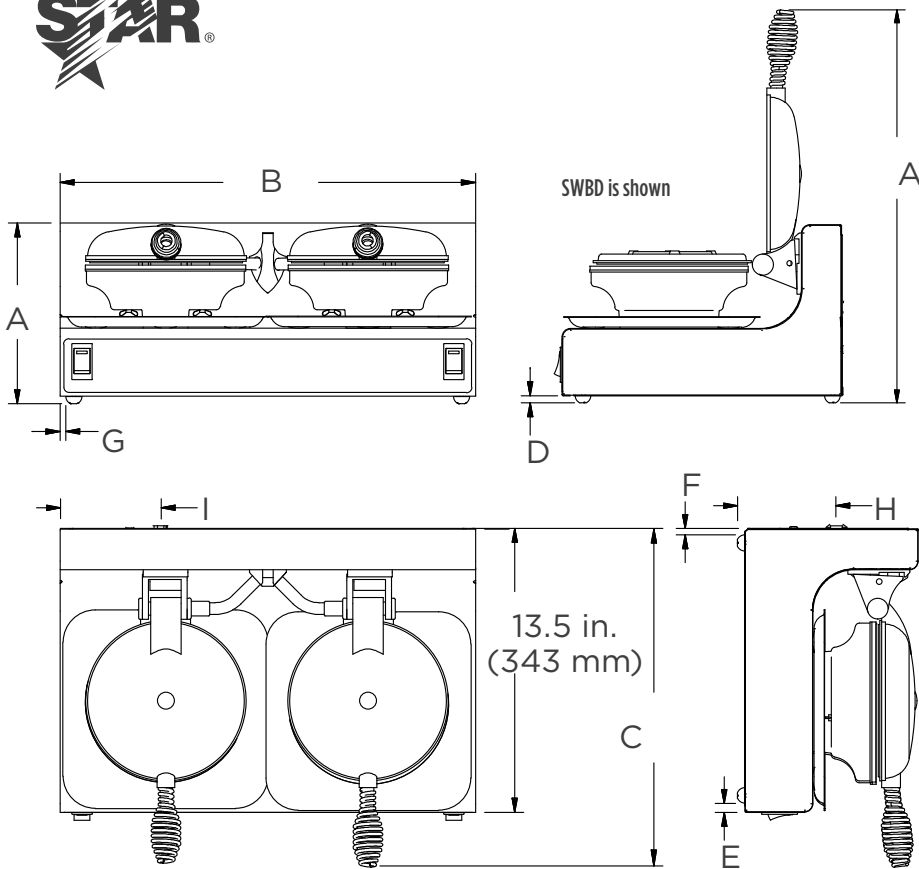
**STAR MANUFACTURING INTERNATIONAL INC.**  
10 Sunnen Drive • Saint Louis, Missouri 63143  
Telephone 800 264 7827 • Fax 314 781 5445  
www.star-mfg.com

Printed in the U.S.A. • 2M-Z21107 • Rev A • 05.2016  
Specifications are subject to change without notice and are not intended for installation purposes.



# SW-Series Waffle Baker

- Single Round Belgian Waffle □SWBB
- Single Round Standard Waffle □SWBS
- Dual Round Standard Waffle □SWBD



### ELECTRICAL PLUG LOCATION [VIEWED FROM FRONT]

MODEL	FROM BOTTOM [H] in. (mm)	FROM LEFT SIDE [I] in. (mm)
SWBB	2.4 (16)	5.1 (130)
SWBS	4.6 (117)	4.9 (124)
SWBD	4.6 (117)	4.9 (124)

### LEG DISTANCE FROM OUT-SIDE OF BODY

MODEL	LEG HEIGHT [D] in. (mm)	FRONT [E] in. (mm)	BACK [F] in. (mm)	SIDE [G] in. (mm)
SWBB	0.625 (16)	0.3 (8)	1.2 (30)	0.4 (10)
SWBS	0.3 (8)	0.625 (16)	0.15 (4)	0.3 (8)
SWBD	0.3 (8)	0.625 (16)	0.15 (4)	0.3 (8)

MODEL	HEIGHT [A] CLOSED/OPEN in. (mm)	WIDTH[B] in. (mm)	DEPTH [C] in. (mm)	VOLTS	AMPS	WATTS	NEMA PLUG	APPROX. SHIP WEIGHT	APPROX. WEIGHT INSTALLED
SWBB	10.6/23 (269/584)	10.2 (259)	19 (483)	120 230 208/240	7.5 3.6 3.3/3.8	900 828 686/912	5-15P none 6-15P	33 lb. (15 kg)	29 lb. (13.2 kg)
SWBS	8.6/19 (218/483)	10.2 (259)	16 (406)	120 208/240	7.5 3.3/3.8	900 686/912	5-15P 6-15P	24 lb. (10.9 kg)	20 lb. (9.1 kg)
SWBD	8.6/19 (218/483)	19.75 (502)	16 (406)	120 208/240	15 6.5/7.5	1800 1352/1800	5-20P 6-15P	44 lb. (20 kg)	40 lb. (18.1 kg)



Due to periodic changes in designs, methods, procedures, policies and regulations, the specifications contained in this sheet are subject to change without notice. While Star Manufacturing exercises good faith efforts to provide information that is accurate, we are not responsible for errors or omissions in information provided or conclusions reached as a result of using the specifications. By using the information provided, the user assumes all risks in connection with such use.