

**Countertop Cooking
Griddle**



ITEM #	OUTPUT BTU	NUMBER OF BURNERS	BURNER TYPE	ITEM DIMENSIONS	WEIGHT	COOKING SURFACE
JAXGCGR24	60,000	2	U-Shaped	24in. x 29.24in. x 15in.	198 lbs.	21in x 24in
JAXGCGR36	90,000	3	U-Shaped	36in. x 29.24in. x 15in.	274 lbs.	21in x 36in
JAXGCGR48	120,000	4	U-Shaped	48in. x 29.24in. x 15in.	352 lbs.	21in x 48in

Features

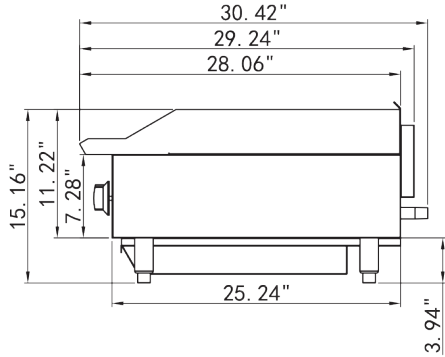
- Shipped as natural gas, includes liquid propane conversion kit
- Double wall construction with insulated side panels
- Extended cool-to-touch front edge
- Wide 3¼” front grease trough
- Adjustable, non-skid stainless steel legs
- 30,000 BTUs per burner
- 3/4” NPT (19mm) rear gas connection
- Removable, easy-to-clean, stainless steel grease catch pan

Benefits

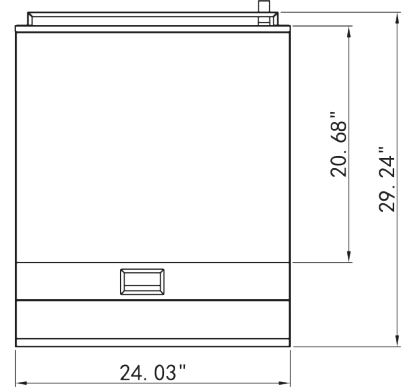
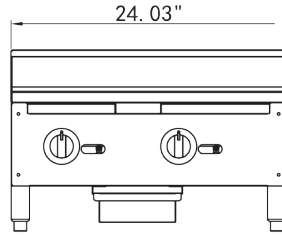
- Stainless steel U-shaped burners provide flame every 6” on the griddle surface
- Easy-to-use manual controls
- Even heat distribution
- One-year limited warranty, or 30-day limited warranty if installed in a non-permanent location (i.e., food truck).

Countertop Cooking Griddle

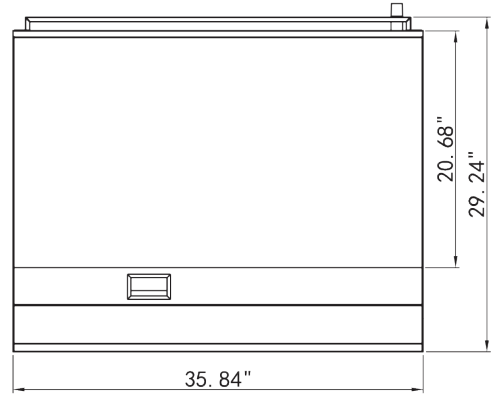
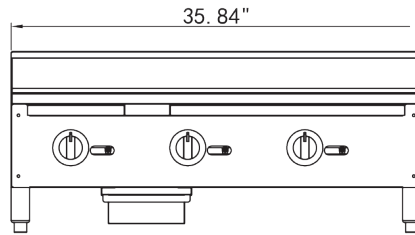
Manual Units



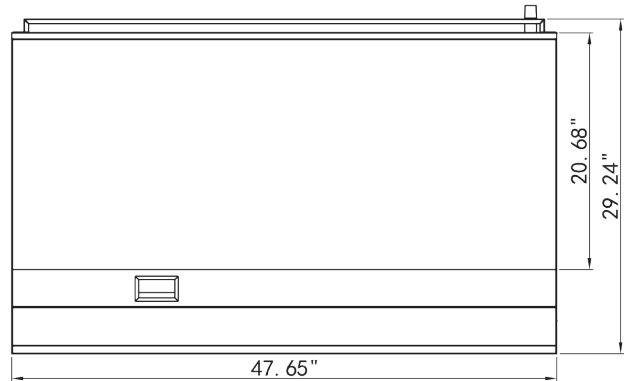
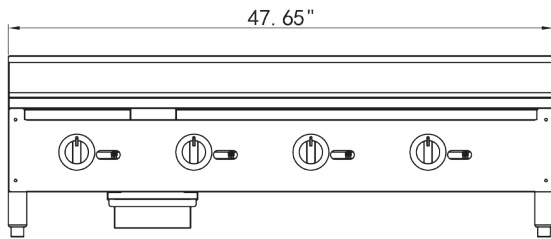
GCGR24



GCGR36



GCGR48



Natural Gas 4.0" (102 mm) W.C.
 Propane Gas 10.0" (279 mm) W.C.