



4184 E. Conant st.
 Long Beach, CA 90808
 Tel. 310-900-1000
 Fax. 310-900-1077
www.turboairinc.com

| | |
|-----------------|-------|
| Project : | |
| Model # : | |
| Item # : | Qty : |
| Available W/H : | |
| Approval : | |

Meat Grinder

*High Volume
and Heavy Duty*

Model : GG-22



≡ FEATURES / BENEFITS ≡

- GEAR DRIVEN SCREW MOTOR**
 German Knife's heavy-duty meat grinder provides years of maintenance free operation. Powerful 1.5 HP motor with gear drive can be fed at a rapid pace with continuous chopping action with no crushing or mashing of the meat.
- STAINLESS STEEL POLISHED FOOD CONTACT ZONE**
 The bowl assembly and feed tray food contact surface are stainless steel.
- REMOVABLE BOWL ASSEMBLY AND FEED TRAY**
 The bowl assembly and feed tray which contact the food are easily removed and cleaned without the use of tools.
- ERGONOMIC STYLE HAND WHEEL RING**
 Comfortable and stable ergonomic hand wheel ring on the bowl assembly.
- SEALED GEAR BOX**
 The gear box uses a sealed oil bath system to lubricate the gears and minimize water damage.
- SAFETY**
 The bowl assembly uses a safety opening eliminating the possibility of injury to the operator.



| Model | Diameter of Knife | Foot Print | Crated Weight (lbs.) | L x D x H (inches) |
|--------------|-------------------|---------------------|----------------------|---------------------------|
| GG-22 | 3 | 163/4 x 85/8 | 101 | 30 x 261/8 x 161/2 |

Meat Grinder

High Volume
and Heavy Duty

Model : GG-22

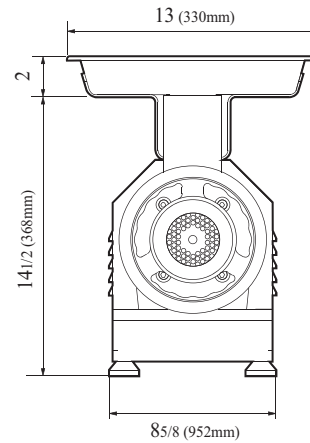
| ELECTRICAL DATA | |
|-------------------------|------------------------------|
| Motor | 1.5 HP • 1PH • AC115V • 60Hz |
| Capacity | 660 lbs/h |
| DIMENSIONAL DATA | |
| Ext. Length Overall in. | 13 (330mm) |
| Ext. Depth Overall in. | 26 1/8 (664mm) |
| Ext. Height Overall in. | 16 1/2 (419mm) |
| Foot Print | 16 3/4 x 8 5/8 |
| Diameter of Knife | 3 |
| Gross Weight lbs. | 101 |

Design and specifications subject to change without notice.
Actual shipping weight may differ due to extra packing materials for product protection.

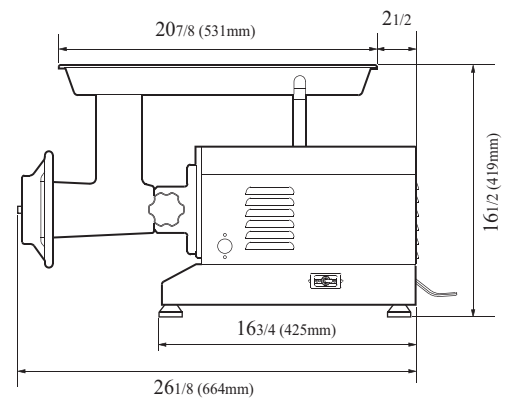
■ **WARRANTY : 2 Year Parts and Labor Warranty**

PLAN VIEW

(unit : inch)



FRONT VIEW



SIDE VIEW

Ver.201401



- Turbo Air : 800-627-0032
- GK : 800-500-3519
- Warranty : 800-381-7770
- AC : 888-900-1002

REFRIGERATOR MANUFACTURER
Turbo air

GERMAN KNIFE

RADIANCE

GREEN WORLD

AIR CONDITIONER MANUFACTURER
Turbo air