

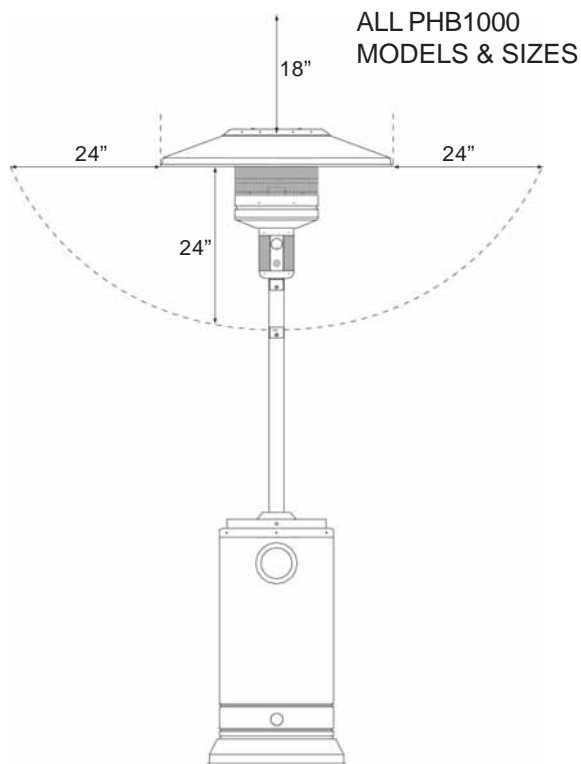
PORTABLE

MODEL	BTU (hr)	Gas	Ignition	Finish	Dimension H x W	Folding Wheels	Cylinder/Counter Weight	Weight (lbs)
STANDARD								
PHB1001LP	46,000	LP	BATTERY SPARK	STAINLESS STEEL	89 3/4" x 32 1/4"	YES	30 or 20 lb. Cyl.	37
PHB1005LP	46,000	LP	BATTERY SPARK	HAMMERED BRONZE	89 3/4" x 32 1/4"	YES	30 or 20 lb. Cyl.	37
ECONOMY								
PHB1003LP	46,000	LP	PIEZO	BLACK	82 5/8" x 32 1/4"	NO	20 lb. Cyl.	35

FIXED

MODEL	BTU (hr)	Gas	Ignition	Finish	Dimension H x W	GAS PRESSURE		Gas Inlet	Mounting	Weight (lbs)
						Manifold	Max. Inlet			
PHB1004NG	45,000	NATURAL	BATTERY SPARK	BLACK	88 1/5" x 32"	5" W.C.	14" W.C.	1/2"	Floor/Deck	37
PHB1004LP	46,000	LP	BATTERY SPARK	BLACK	88 1/5" x 32"	10" W.C.	14" W.C.	1/2"	Floor/Deck	37
PHB1004NG-SS	45,000	NATURAL	BATTERY SPARK	STAINLESS STEEL	88 1/5" x 32"	5" W.C.	14" W.C.	1/2"	Floor/Deck	37
PHB1004LP-SS	46,000	LP	BATTERY SPARK	STAINLESS STEEL	88 1/5" x 32"	10" W.C.	14" W.C.	1/2"	Floor/Deck	37

MINIMUM CLEARANCE TO COMBUSTIBLES

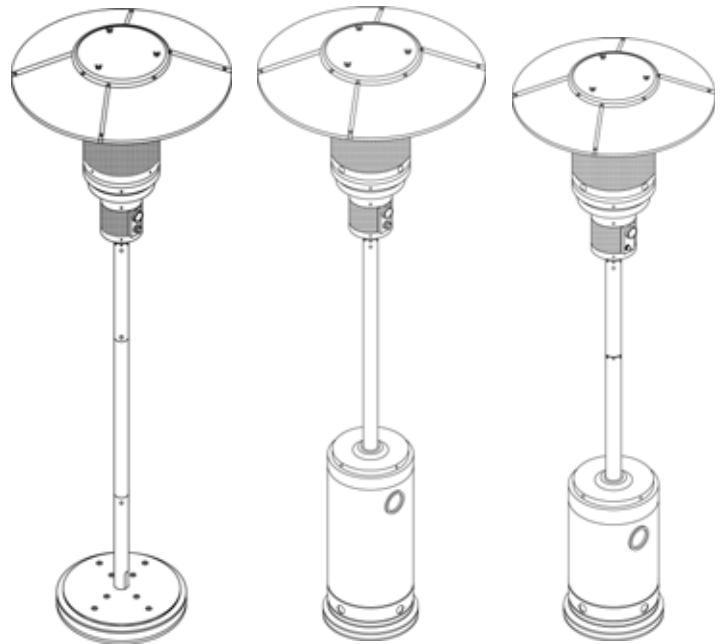


MODELS

PHB1004NG/
PHB1004LP

PHB1001LP/
PHB1005LP

PHB1003LP



SHIPPING/DISPLAY CARTON = 18" x 19" x 35" (PHB1001/5)

SHIPPING/DISPLAY CARTON = 18" x 19" x 31" (PHB1003)

