



STAINLESS STEEL

SPECLINE 14 Ga. Fabricated Sinks

Single Compartment



K-700
Removable
Side Splashes
Fits Left OR Right Side

Item #: _____ **Qty #:** _____

Model #: _____

Project #: _____

FEATURES:

Continuous Apron Design
Backsplash has tile edge for ease of installation.
Sink bowls are 3/4" coved corner and meet NSF requirements.
Rolled Rim Edge for additional strength.
Sink Bowls are 14" deep for greater capacity.
Stainless Steel Legs and Cross Bracing.

CONSTRUCTION:

All TIG welded.
Welded areas blended to match adjacent surfaces and to a satin finish.

MATERIAL:

1 5/8" diameter stainless steel legs with 1" adjustable stainless steel bullet feet.
Entire unit is 14 gauge 304 stainless steel.
Stainless Steel Gussets.

MECHANICAL:

- Supply is 1/2" IPS hot & cold.
- Faucet holes on 8" centers.
- Faucets are not included (**see accessories**).
- Waste drains are 1 1/2" IPS S/S basket type, located in center of sink bowl, and are included.

MODEL #	BOWL SIZE	O.A. Length	# of Drbds.
FS-1-1818	18" x 18"	23"	0
FS-1-1818-18RorL	18" x 18"	38 1/2"	1
FS-1-1824	18" x 24"	23"	0
FS-1-1824-18R or L	18" x 24"	38.5"	1
FS-1-1824-24R or L	18" x 24"	44.5"	1
FS-1-1824-18RL	18" x 24"	54"	2
FS-1-1824-24RL	18" x 24"	66"	2
FS-1-2424	24" x 24"	29"	0
FS-1-2424-18R or L	24" x 24"	44.5"	1
FS-1-2424-24R or L	24" x 24"	50.5"	1
FS-1-2424-18RL	24" x 24"	60"	2
FS-1-2424-24RL	24" x 24"	72"	2
FS-1-3024	30" x 24"	35"	0
FS-1-3024-24R or L	30" x 24"	56.5"	1
FS-1-3024-24RL	30" x 24"	78"	2
FS-1-3624	36" x 24"	41"	0
FS-1-3624-24R or L	36" x 24"	62.5"	1
FS-1-3624-24RL	36" x 24"	84"	2

ACCESSORIES	Model #	Qty
DRAINS		
FAUCETS		



Customer Service Available To Assist You 1-800-645-3166 8:30 am - 8:00 pm E.S.T.
Email Orders To: customer@advancetabco.com. For Smart Fabrication™ Quotes, Email To: smartfab@advancetabco.com or Fax To: 631-586-2933

NEW YORK
Fax: (631) 242-6900

GEORGIA
Fax: (770) 775-5625

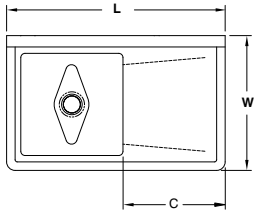
TEXAS
Fax: (972) 932-4795

NEVADA
Fax: (775) 972-1578

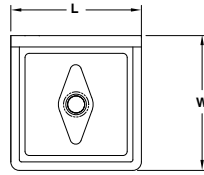
DIMENSIONS and SPECIFICATIONS

TOL Overall: ± .500" Interior: ± .250"

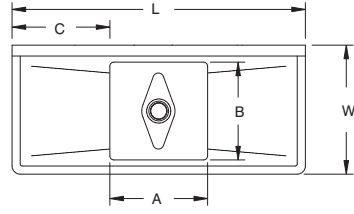
ALL DIMENSIONS ARE TYPICAL



1 COMP - 1 DRBD

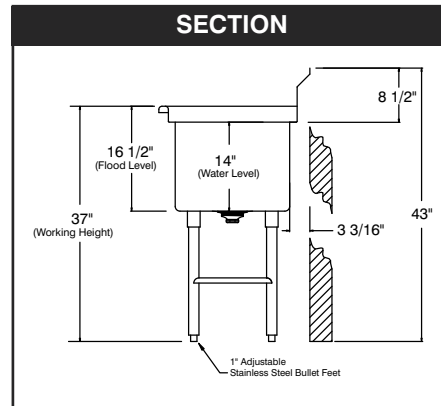
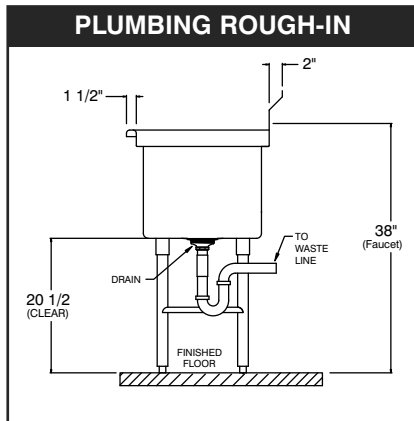


1 COMP



1 COMP - 2 DRBDs

MODEL #	Length L	Width W	Bowl Size A & B	Drbd. Length C	# of Drbds.	Drbd. Location	Wt	Cu.
FS-1-1818	23"	24"	18" x 18"	N/A	0	None	60 lbs	11
FS-1-1818-18RorL	38.5"	24"	18" x 18"	18"	1	Specify	75 lbs.	17
FS-1-1824	23"	30"	18" x 24"	N/A	0	None	78 lbs	16
FS-1-1824-18RorL	38.5"	30"	18" x 24"	18"	1	Specify	92 lbs	25
FS-1-1824-24RorL	44.5"	30"	18" x 24"	24"	1	Specify	105 lbs	28
FS-1-1824-18RL	54"	30"	18" x 24"	18"	2	Both	175 lbs	34
FS-1-1824-24RL	66"	30"	18" x 24"	24"	2	Both	198 lbs	40
FS-1-2424	29"	30"	24" x 24"	N/A	0	None	90 lbs	19
FS-1-2424-18RorL	44.5"	30"	24" x 24"	18"	1	Specify	110 lbs	28
FS-1-2424-24RorL	50.5"	30"	24" x 24"	24"	1	Specify	119 lbs	34
FS-1-2424-18RL	60"	30"	24" x 24"	18"	2	Both	185 lbs	37
FS-1-2424-24RL	72"	30"	24" x 24"	24"	2	Both	209 lbs	44
FS-1-3024	35"	30"	30" x 24"	N/A	0	None	115 lbs	23
FS-1-3024-24RorL	56.5"	30"	30" x 24"	24"	1	Specify	132 lbs	35
FS-1-3024-24RL	78"	30"	30" x 24"	24"	2	Both	150 lbs	47
FS-1-3624	41"	30"	36" x 24"	N/A	0	None	125 lbs	26
FS-1-3624-24RorL	62.5"	30"	36" x 24"	24"	1	Specify	143 lbs	39
FS-1-3624-24RL	84"	30"	36" x 24"	24"	2	Both	165 lbs	51



200 Heartland Boulevard, Edgewood, NY 11717-8380

Mission Restaurant Supply - Webstore

ADVANCE TABCO is constantly engaged in a program of improving our products. Therefore, we reserve the right to change specifications without prior notice.

© ADVANCE TABCO, APRIL 2011