



ALUMINUM

# HALF SIZE PIZZA PAN & DOUGH RACKS WITH SOLID ALUMINUM TOP



Pizza Pan Rack



**Item #:** \_\_\_\_\_ **Qty #:** \_\_\_\_\_

**Model #:** \_\_\_\_\_

**Project #:** \_\_\_\_\_



Pizza Dough Box Rack



Half Size Rack



**FEATURES:**

**Pizza Pan Rack**

2" shelf spacing, 12 pan capacity, 5" poly stem bolted casters, 4" wide slides.

**Pizza Dough Box Rack**

3 3/4" shelf spacing, 7 box capacity, 5" poly stem bolted casters, 1 1/2" ribbed angles.

**Half Size Rack**

3" shelf spacing, 10 pan capacity, 5" poly stem bolted casters, 1 1/2" ribbed angles.

**CONSTRUCTION:**

Fully welded, ready for use.

Solid Aluminum Top

**MATERIAL:**

6063-T52 extruded aluminum angles, upright tubing, and support pieces.

MODEL #	Pan/Box Capacity	Shelf Spacing	Overall Size L x W x H	Weight
PZ12	12	2"	22" x 20" x 33 3/4"	52 lbs.
PDB7	7	3 3/4"	26 1/2" x 20 1/2" x 33 3/4"	27 lbs.
PR10-3WT	10	3"	20 1/4" x 26" x 38 1/2"	30 lbs.
PR10-3PT	10	3"	20 1/4" x 26" x 38 1/2"	45 lbs.
PR10-3ST	10	3"	20 1/4" x 26" x 38 1/2"	35 lbs.



Customer Service Available To Assist You **1-800-645-3166** 8:30 am - 8:00 pm E.S.T.

Email Orders To: [customer@advancetabco.com](mailto:customer@advancetabco.com). For Smart Fabrication™ Quotes, Email To: [smartfab@advancetabco.com](mailto:smartfab@advancetabco.com) or Fax To: 631-586-2933

**NEW YORK**  
Fax: (631) 242-6900

**GEORGIA**  
Fax: (770) 775-5625

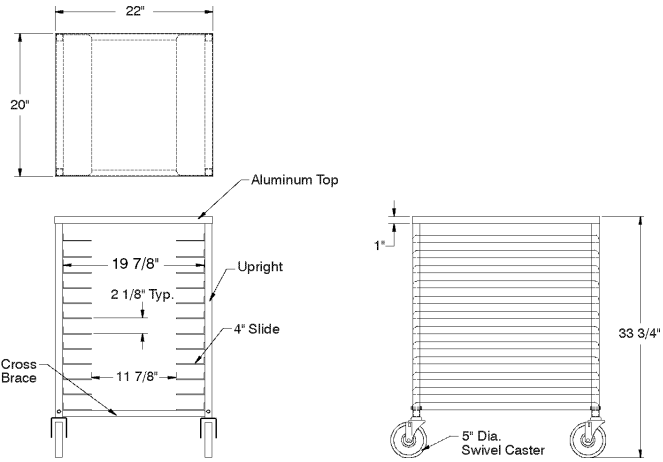
**TEXAS**  
Fax: (972) 932-4795

**NEVADA**  
Fax: (775) 972-1578

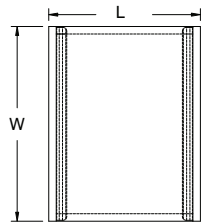
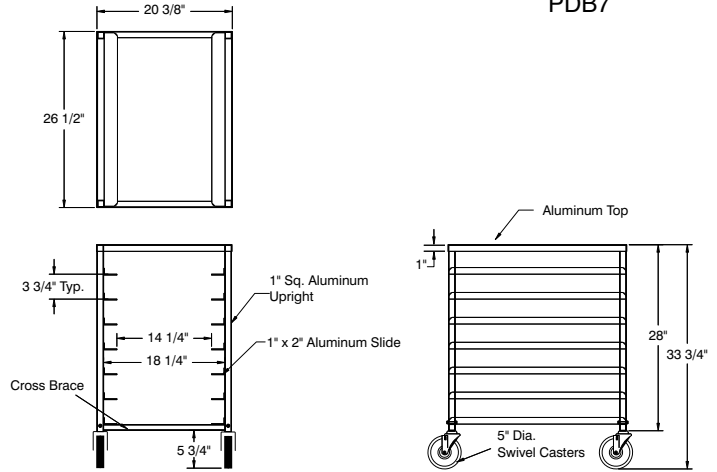
# DIMENSIONS and SPECIFICATIONS

TOL ± .500" ALL DIMENSIONS ARE TYPICAL

**PZ12**



**PDB7**



**PR10 SERIES**

