

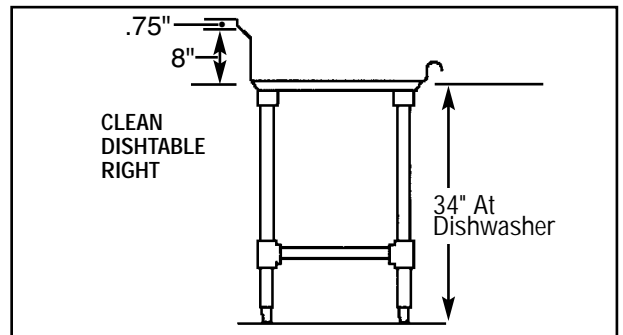
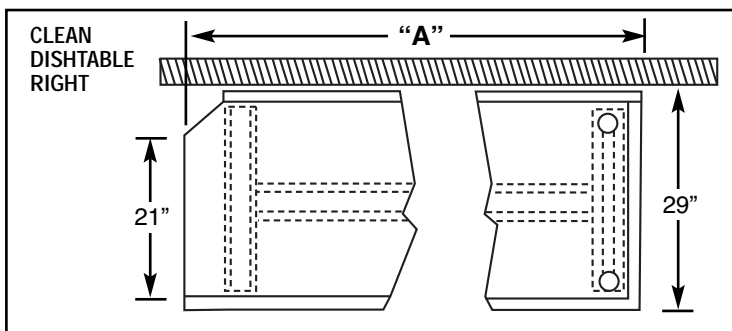
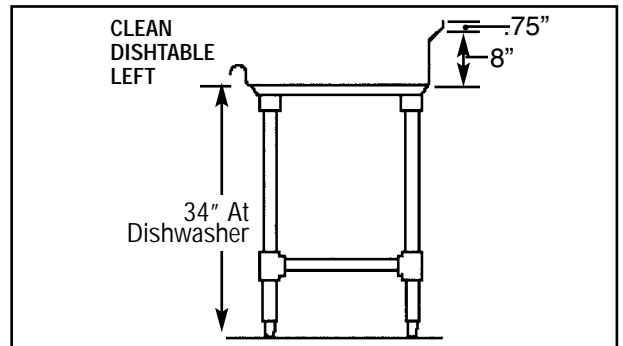
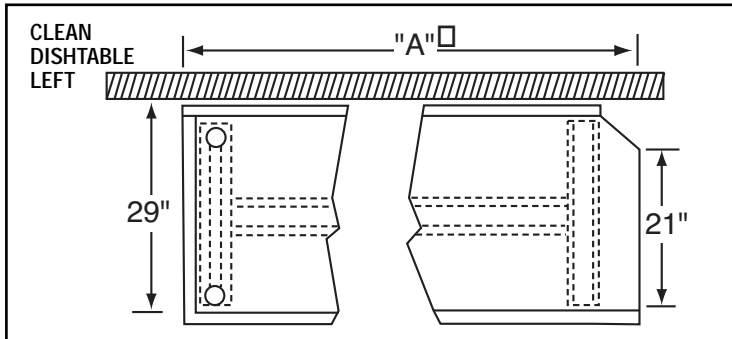
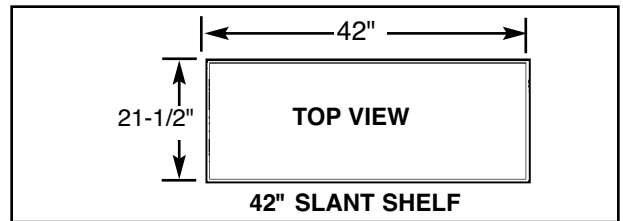
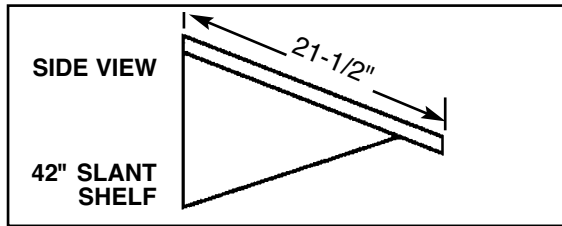
WARNING: Plumbing connections must be made by a qualified service company who will comply with all available Federal, State, and Local Health, Plumbing and Safety codes.



FEATURES:

- All stainless steel construction.
- All stainless steel galvanized channel and angle bracing.
- Adjustable leg bracing.
- 1-5/8" O.D. tubular stainless steel legs.

MODEL		DIMENSION
LEFT	RIGHT	A
CL-26	CR-26	26"
CL-36	CR-36	36"
CL-48	CR-48	48"
CL-60	CR-60	60"



WARNING: Plumbing connections must be made by a qualified service company who will comply with all available Federal, State, and Local Health, Plumbing and Safety codes.



FEATURES:

- All stainless steel construction.
- All stainless steel galvanized channel and angle bracing.
- Adjustable leg bracing.
- Includes rack slide and scrap basket.
- Drilled for back splash mounted pre-rinse 8" on center. (Pre-rinse unit sold separately.)
- 2" basket drain and 3-1/2" diameter die-formed mounted hole.
- 1-5/8" O.D. tubular stainless steel legs.

MODEL		DIMENSION	
LEFT	RIGHT	A	B
SL-26	SR-26	26"	3-7/8"
SL-36	SR-36	36"	7-1/2"
SL-48	SR-48	48"	7-1/2"
SL-60	SR-60	60"	15"
SL-U	SR-U	48"	N/A

