

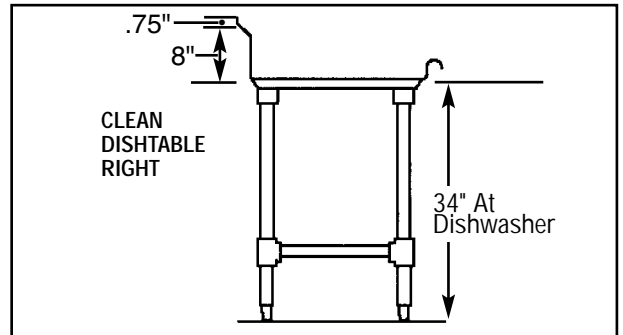
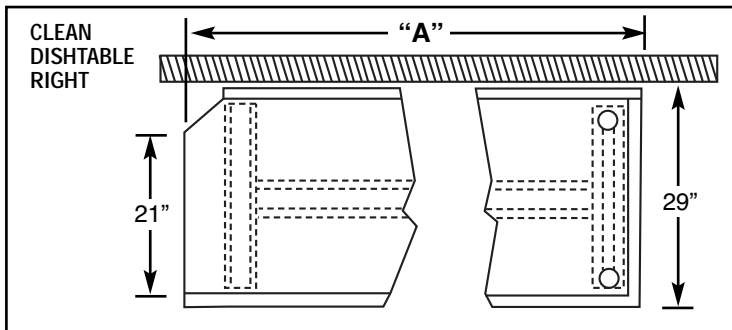
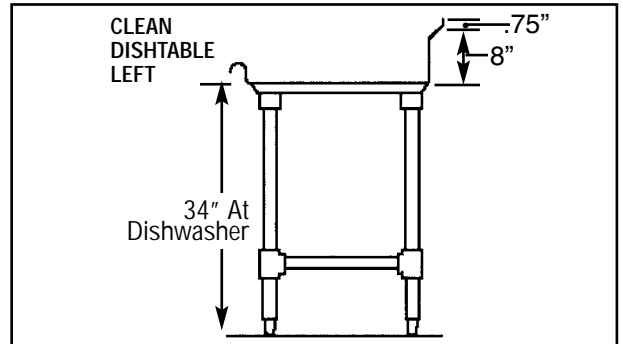
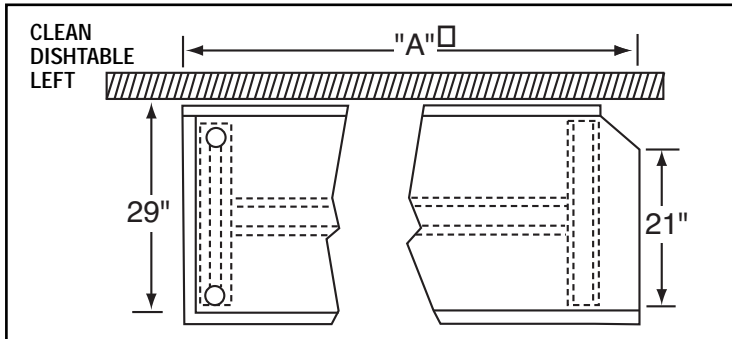
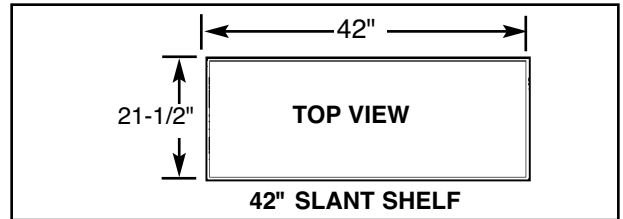
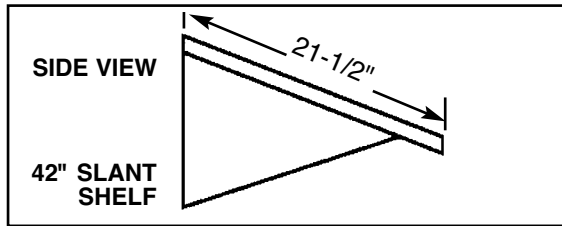
WARNING: Plumbing connections must be made by a qualified service company who will comply with all available Federal, State, and Local Health, Plumbing and Safety codes.



FEATURES:

- All stainless steel construction.
- All stainless steel galvanized channel and angle bracing.
- Adjustable leg bracing.
- 1-5/8" O.D. tubular stainless steel legs.

| MODEL | | DIMENSION |
|-------|-------|-----------|
| LEFT | RIGHT | A |
| CL-26 | CR-26 | 26" |
| CL-36 | CR-36 | 36" |
| CL-48 | CR-48 | 48" |
| CL-60 | CR-60 | 60" |



WARNING: Plumbing connections must be made by a qualified service company who will comply with all available Federal, State, and Local Health, Plumbing and Safety codes.



FEATURES:

- All stainless steel construction.
- All stainless steel galvanized channel and angle bracing.
- Adjustable leg bracing.
- Includes rack slide and scrap basket.
- Drilled for back splash mounted pre-rinse 8" on center. (Pre-rinse unit sold separately.)
- 2" basket drain and 3-1/2" diameter die-formed mounted hole.
- 1-5/8" O.D. tubular stainless steel legs.

| MODEL | | DIMENSION | |
|-------|-------|-----------|--------|
| LEFT | RIGHT | A | B |
| SL-26 | SR-26 | 26" | 3-7/8" |
| SL-36 | SR-36 | 36" | 7-1/2" |
| SL-48 | SR-48 | 48" | 7-1/2" |
| SL-60 | SR-60 | 60" | 15" |
| SL-U | SR-U | 48" | N/A |

