

SPLASH MOUNTED FAUCETS

Item #:	_____	Qty #:	_____
Model #:	_____		
Project #:	_____		



7-PS-60



7-PS-68



7-PS-50



7-PS-54

Keyhole Bracket for easier installation and greater stability.



FEATURES:

One piece **Deep Drawn** sink bowl design.

Sink bowl is 10" x 14" x 5".

7-PS-45 sink bowl size is 16" x 20" x 8".

7-PS-49 sink bowl size is 16" x 14" x 8".

All sink bowls have a large liberal radii with a minimum dimension of 2" and are rectangular in design for increased capacity.

Keyhole wall mount bracket.

Stainless steel basket drain 1-1/2" IPS.

Additional Features:

7-PS-20 4" O.C. deck mounted centerset faucet.

7-PS-20-NF Deck mounted faucet omitted. 4" O.C. hole punch.

7-PS-45 Same as above plus 2 Support Brackets (Hardware Included).

7-PS-49 4" O.C. splash mounted gooseneck faucet.

7-PS-50 Lever operated drain and built-in overflow with plastic overflow tube and spring clamps. 1-1/2" P-Trap. 4" O.C. splash mounted gooseneck faucet.

7-PS-54 4" O.C. splash mounted gooseneck faucet. Features 1-1/2" P-Trap.

7-PS-60 4" O.C. splash mounted gooseneck faucet.

7-PS-67 Features lever operated drain.

7-PS-68 4" O.C. splash mounted gooseneck faucet with Wrist Handles.

7-PS-70 Splash mounted faucet omitted. 4" O.C. hole punch.

7-PS-71 Splash mounted faucet omitted. Single center hole.

CONSTRUCTION:

All TIG welded.

Welded areas blended to match adjacent surfaces and to a satin finish.

Die formed Countertop Edge with a No-Drip offset.

One sheet of stainless steel - No Seams.

MATERIAL:

Heavy gauge type 304 series stainless steel.

Wall mounting bracket is Galvanized and of offset design.

All fittings are brass / chrome plated unless otherwise indicated.

MECHANICAL:

Faucet supply is 1/2" IPS male thread hot and cold.

Standard Faucet conforms to NSF 61 Standard 9.

Faucets Are AB1953 Lead Free Compliant.

For Replacement Faucets & Upgrades, Drains & Accessories
 Visit our website at www.advancetabco.com

DECK MOUNTED FAUCET



7-PS-67



7-PS-20



7-PS-20-NF
Faucet omitted

SINGLE HOLE PUNCH

Faucet omitted



7-PS-71

DOUBLE HOLE PUNCH

Faucet omitted



7-PS-70

LARGE SINK BOWLS

Features
 Large Size
 Sink Bowl
 16" x 20" x 8"



7-PS-45

Features
 Large Size
 Sink Bowl
 16" x 14" x 8"



7-PS-49

Customer Service Available To Assist You 1-800-645-3166 8:30 am - 8:00 pm E.S.T.

For Orders & Customer Service:

Email: customer@advancetabco.com or Fax: 631-242-6900

For Smart Fabrication™ Quotes:

Email: smartfab@advancetabco.com or Fax: 631-586-2933

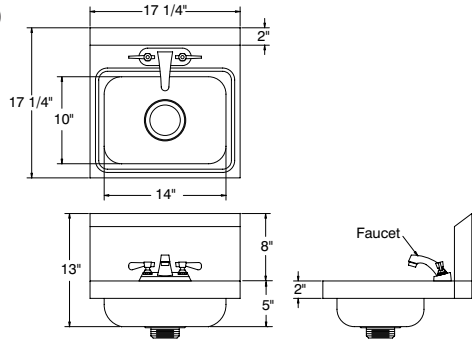
DIMENSIONS and SPECIFICATIONS

TOL Overall: ± .500" Interior: ± .250"

FITTINGS SUPPLIED AS SHOWN

ALL DIMENSIONS ARE TYPICAL

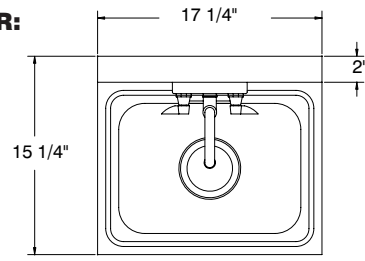
7-PS-20



15 lbs.

TOP VIEW FOR:

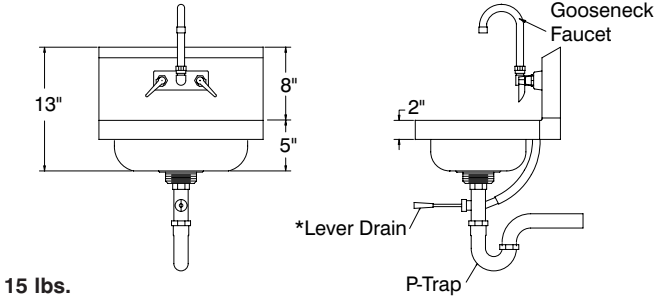
7-PS-50
7-PS-54
7-PS-60
7-PS-68
7-PS-70



Sink Bowl 10" x 14" x 5"

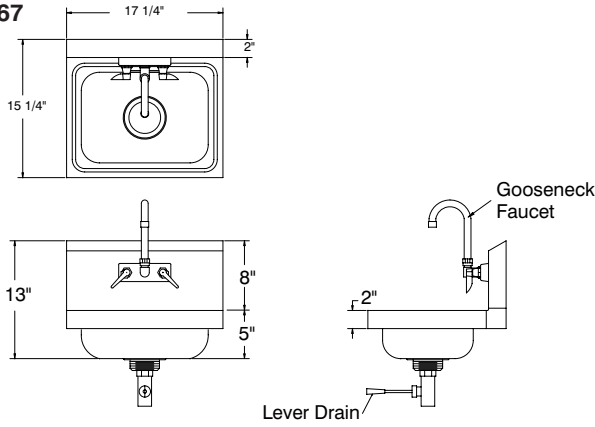
7-PS-50 & 7-PS-54*

NOTE: *7-PS-54 Hand Sink Excludes Lever Drain and Overflow



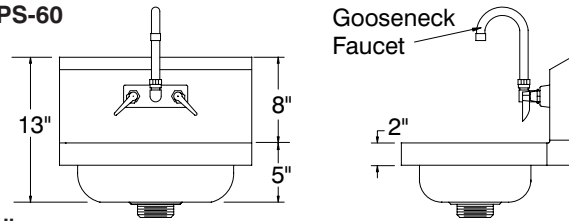
15 lbs.

7-PS-67



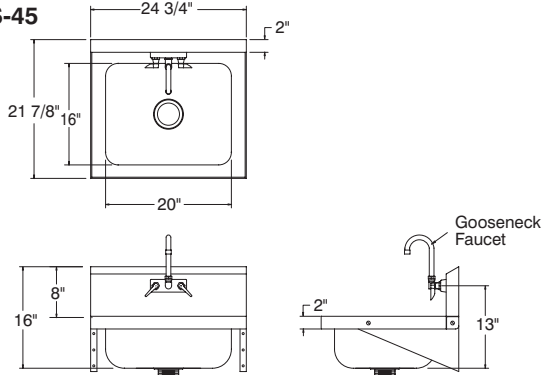
15 lbs.

7-PS-60



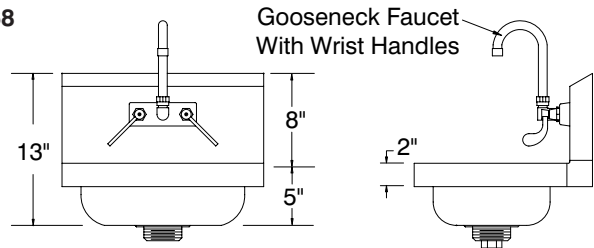
13 lbs.

7-PS-45



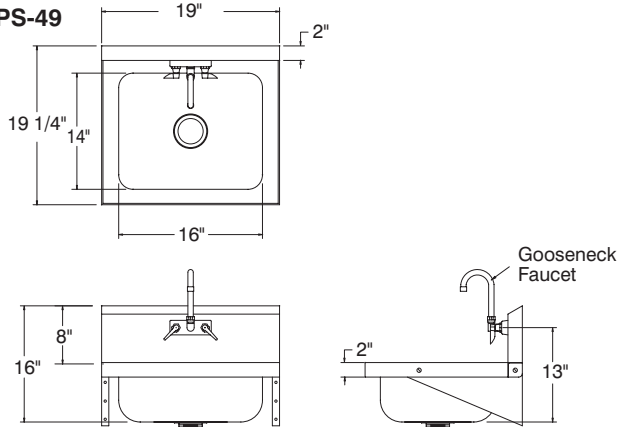
31 lbs.

7-PS-68



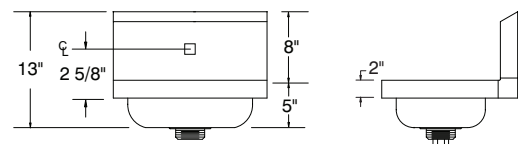
13 lbs.

7-PS-49

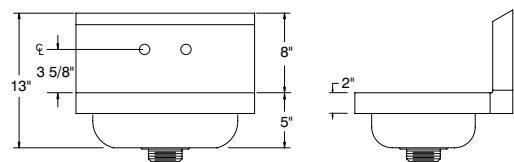


31 lbs.

7-PS-71



7-PS-70



12 lbs.

