

Amana® Commercial

Project #: _____

Item #: _____

AIA File #:

Specification #:



Model RMS10T and RMS10TS shown

Low Volume

This category of microwave is ideal for...

Applications:

- Convenience stores
- Dessert stations
- Nurses stations
- Teachers/Staff lounge

All ACP, Inc. commercial ovens are backed by our Culinary Center. Call us with any question regarding food preparation, menu development and cooking times. 866-426-2621.



Low Volume

Amana Commercial Microwave Model RMS10T and RMS10TS

Power Output

- 1000 watts of power.
- Five power levels for cooking flexibility.
- Three cooking stages for one touch cooking.

Certified Oven for Commercial Applications

- Tested to higher standards for a commercial rating - required by most commercial insurance polices and health inspectors.
- Interlock safety switch is tested to 4 times the standard of residential ovens.
- Constructed to withstand the foodservice environment, multiple users and variable ambient temperatures.
- Compared to a residential oven, this oven is more powerful for faster heating and better quality results.
- Engineered for a simple, "self-service" operation.

Easy to Use

- Perfect replacement for inappropriate domestic ovens used in a foodservice applications.
- Touch controls are perfect for self-service locations.
- 20 programmable menu items simplifies cooking.
- Multiple quantity pad calculates the proper cooking times for multiple portions.
- Braille touch pads are ADA compliant.
- See-through door and lighted interior for monitoring without opening the door.
- 0.8 cubic foot (23 liter) capacity accommodates a 12" (305mm) platter, prepackaged foods and single servings.

Easy to Maintain

- RMS10T - Stainless steel exterior wrap and painted interior for easy cleaning.
- RMS10TS - Stainless steel exterior wrap and oven interior for increased durability.
- Sealed in ceramic shelf for easy cleaning.
- Backed by the ACP, Inc. 24/7 ComServ Support Center, 866-426-2621.
- UL and ETL Listed.



Intertek

Part No. 20154802
Updated 8/18/14
Original Instructions



© 2014 ACP, Inc.
Cedar Rapids, Iowa 52404

225 49th Ave. Dr. SW Cedar Rapids, IA 52404 U.S.A.
®/™ © 2012 Amana. All rights reserved. Brand used under license.

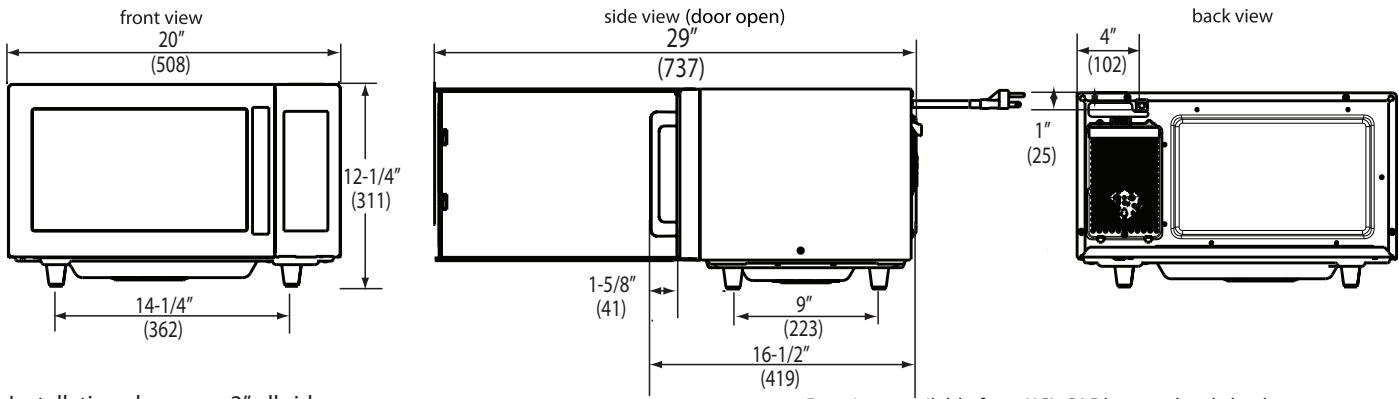
800-233-2366

319-368-8120

Fax: 319-368-8198

www.acpsolutions.com

Amana Commercial Microwave Model RMS10T and RMS10TS | Low Volume



Installation clearance: 3" all sides

Drawings available from KCL CADlog - techs@kclcad.com

Specification #:

Specifications			
Model	RMS10T	UPC Code 728028020793	
	RMS10TS	UPC Code 728028020809	
Configuration	Countertop		
Control System	Touch		
Programmable Control Pads	10		
Settings Programmable	20		
Max. Cooking Time	60:00		
Power Levels	5		
Defrost	Yes		
Time Entry Option	Yes		
Microwave Distribution	Rotating stirrer, bottom		
Magnetron	1		
Display	LED		
Stage Cooking	Yes, 3		
Interior Light	Yes		
Door Handle	Grab & Go		
Signal	End of cycle, adjustable		
Exterior Dimensions	H 12 1/4" (311)	W 20" (508)	D* 16 1/2" (419)
Cavity Dimensions	H 7 3/4" (197)	W 13" (330)	D 13" (330)
Door Depth	29" (737), 90°+ door open		
Usable Cavity Space	0.8 cubic ft. (23 liter)		
Exterior Finish	RMS10T & RMS10TS: Stainless steel wrap		
Interior Finish	RMS10T: Painted		
	RMS10TS: Stainless steel		
Power Consumption	1500 W, 13 A		
Power Output*	1000 W** Microwave		
Power Source	120V, 60 Hz, 15 A single phase		
Plug Configuration / Cord	NEMA 5-15	5 ft. (1.5m)	
Frequency	2450 MHz		
Product Weight	32 lbs. (14 kg.)		
Ship Weight (approx.)	39 lbs. (18 kg.)		
UPS Shippable	Yes		
Shipping Carton Size	H 15" (381)	W 23" (584)	D 18" (457)

Specifications

Commercial microwave 10 touch pad control panel shall be programmable with the ability to program up to 20 menu items. Touch pad shall include Braille for ADA compliance. Cooking timer shall be 60 minute countdown style for all power settings with a time entry option and an end of cycle audible signal. LED display shall be backlit. Oven shall have 5 power levels and 3 cooking stages. Microwave output shall be 1000 watts distributed by one magnetron with a bottom feed rotating stirrer to provide superior even heating throughout the cavity. Durable door shall have a tempered glass window and a grab and go handle with a 90°+ opening for easy access. An interior light shall facilitate monitoring without opening the door. The 0.8 cubic ft. (23 liter) cavity shall accommodate a 12" (305 mm) platter. Oven shall have a stainless steel exterior wrap and a white powder coat painted interior (RMS10T) or stainless steel interior (RMS10TS). Microwave oven shall comply with standards set by the U.S Department of Health and Human Services, UL923 for safety and NSF4 for sanitation.



Warranty

Warranty Certificate for this product can be found on the ACP, Inc. website at:

www.acpsolutions.com/warranty



Service

All products are backed by the ACP, Inc. 24/7 ComServ Support Center.



AIA File #:

Measurements in () are millimeters

* Includes handle

**IEC 60705 Tested

Part No. 20154802
Updated 8/18/14
Original Instructions



© 2014 ACP, Inc.
Cedar Rapids, Iowa 52404