

Project Name: \_\_\_\_\_ AIA#: \_\_\_\_\_

Model #: \_\_\_\_\_ Location: \_\_\_\_\_

SIS#: \_\_\_\_\_ Item #: \_\_\_\_\_ Quantity: \_\_\_\_\_



# Chefmate® by Globe Countertop Gas Charbroiler

## Maximum Versatility & Value!

*Heavy-duty, reversible cast iron grates adjust to 3 grilling positions, providing superior heat distribution.*

C24CB-SR



## Models

- C24CB-SR (pictured)
- C36CB-SR

## Standard Features

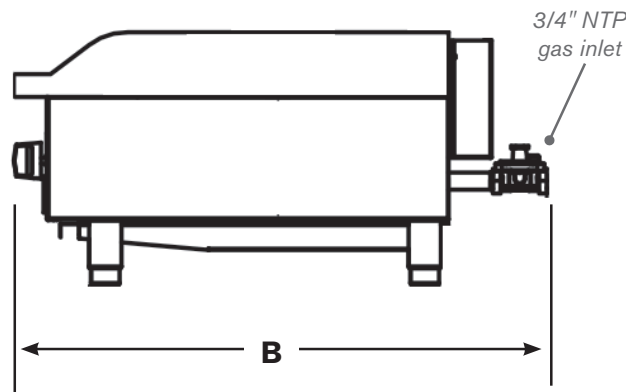
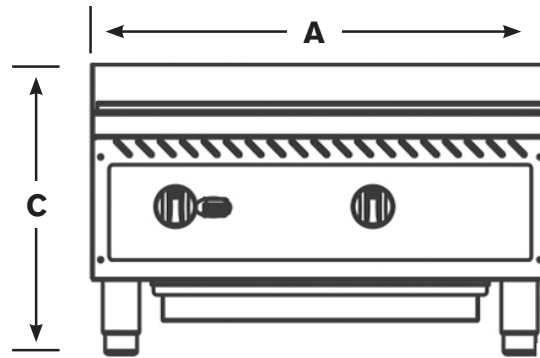
- Available in 24" and 36" widths
  - 2 burners on 24"
  - 3 burners on 36"
- Stainless steel construction with extended cool-to-touch front edge
- Full-length stainless steel catch tray
- Heavy-duty cast iron grates
  - Reversible
  - Adjusts to 3 grilling positions
- Stainless steel radiants and legs with adjustable non-skid feet
- 4" high back and side splash for grease and spill protection
- Removable cooktop for easy cleaning and service
- High performance U-style burners, each 35,000 BTUs and provide heat control every 12" and flame every 6"
- One pilot per burner, adjustable with front access
- Unit ships natural gas with liquid propane gas (LP) conversion kit and regulator

## Warranty

- One year parts and labor



Approved by: \_\_\_\_\_ Date: \_\_\_\_\_



For indoor use only.

**DIMENSIONS | SPECIFICATIONS | SHIPPING INFORMATION**

Reinforced carton for shipping. Weight of carton included below and may vary from shipment to shipment. *Shipped on a pallet. Freight class 85.*

Model	Dimensions			Net Wt	No. Burners BTUs ea	Total BTUs	Cooking Area	Shipping Dimensions			Ship Wt
	A - Width	B - Depth	C - Height					Width	Depth	Height	
<b>C24CB-SR</b>	24" (61 cm)	30.32" (77 cm)	15.75" (40 cm)	116.85 lbs (53 kg)	<u>2</u> 35,000	75,000	24" x 20" (61 cm x 51 cm)	40" (102 cm)	48" (122 cm)	23" (58.4 cm)	148 lbs (67.13 kg)
<b>C36CB-SR</b>	36" (91.5 cm)	30.32" (77 cm)	15.75" (40 cm)	162.26 lbs (73.6 kg)	<u>3</u> 35,000	105,000	36" x 20" (91.5 cm x 51 cm)	40" (102 cm)	48" (122 cm)	23" (58.4 cm)	195 lbs (88.45 kg)

**GAS REQUIREMENTS AND INFORMATION**

- Natural gas or LP gas supply required
- Conversion of unit from natural gas to LP must be completed by an authorized Globe servicer
- 3/4" standard pipe size I.D. connection

Gas charbroiler is constructed of stainless steel, with extended cool-to-touch front edge. Charbroiler has full-length stainless steel catch tray, heavy-duty, reversible, adjustable, cast iron grates with stainless steel adjustable non-skid feet. Unit has high performance 35,000 BTU burners with adjustable pilots with front access. Gas connection is 3/4" N.P.T. males and a convertible pressure regulator is provided for either LP or natural gas. Charbroiler is listed to NSF Standard 4 by CSA.